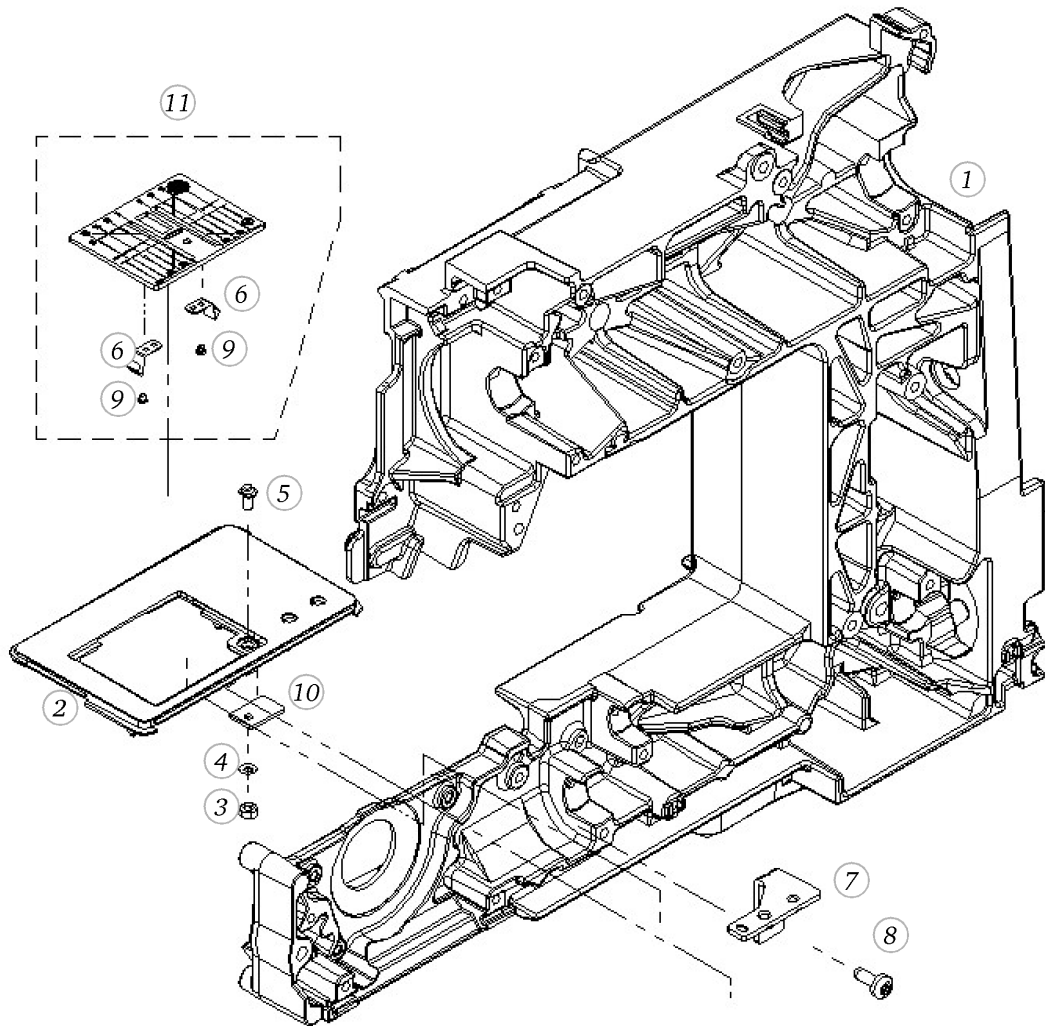


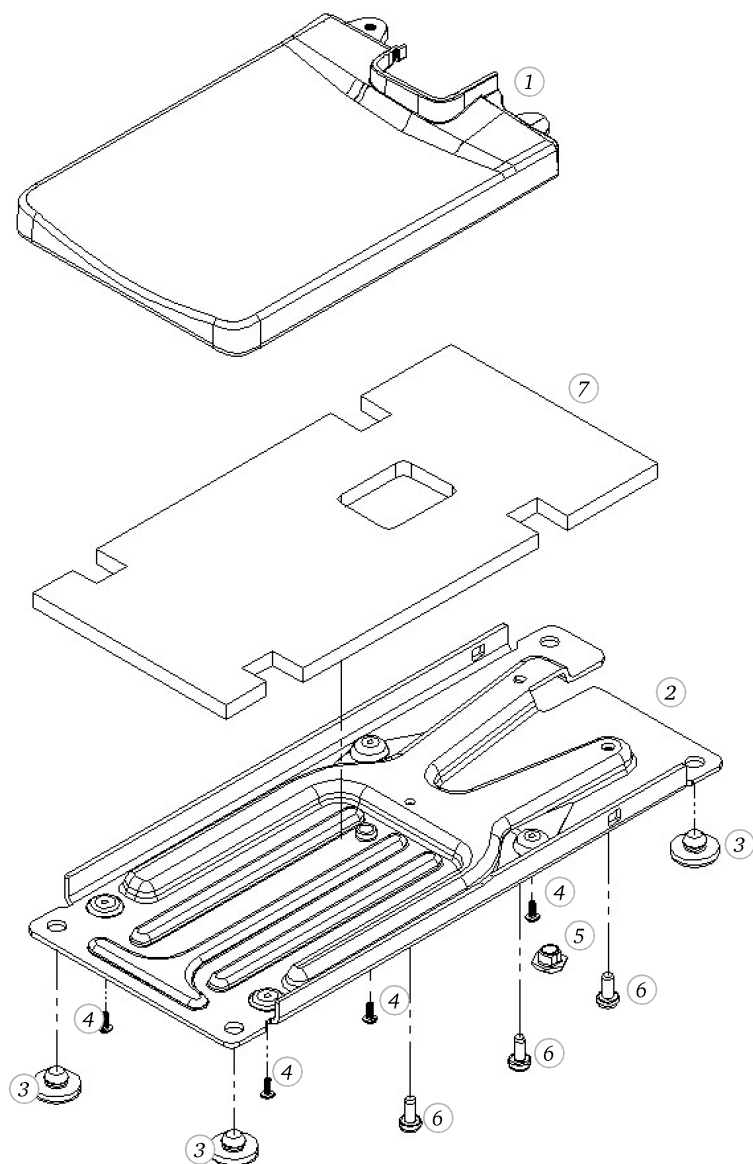


Spare Parts

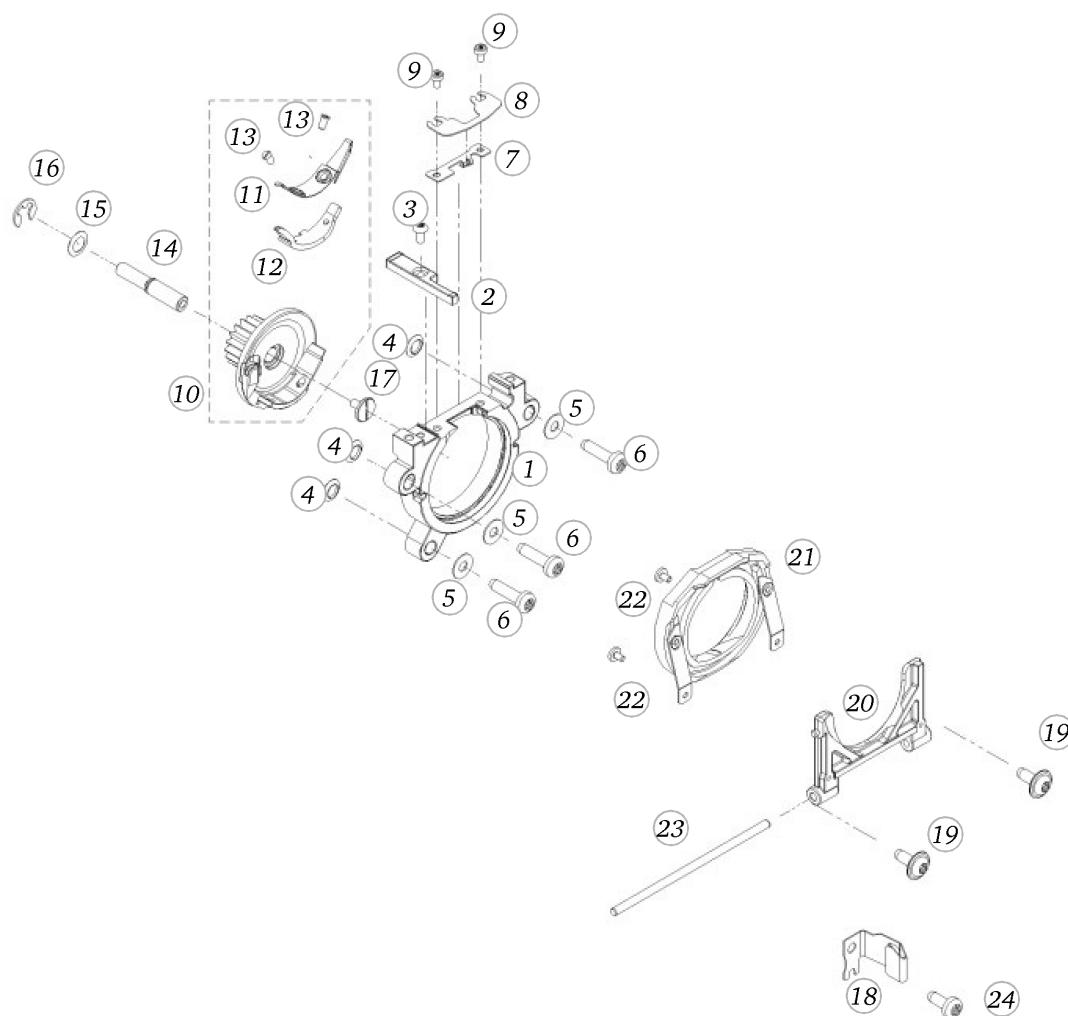
BERNINA 330



Pos	Item number	Description
1	0088505100	CHASSIS MACHINED
2	0300975002	STITCH PLATE FRAME
3	22502313++	HEXAGONAL NUT
4	23225753++	Curved Spring Washers M3 DIN 137 A - BN795 Art-No. 1280317
5	0026045200	SPECIAL BOLT
6	0078755200	Clip
6	0078755300	Clip
7	0310295101	SUPPORT
8	0078865043	Socket Pan Head Thread Forming Screws M4x10 DIN7500 - BN13916 Art-No. 2027593
9	20500223++	Slotted Machine Screw M2x1.8 nickel-plated
10	0010475101	PRESSURE PLATE
11	0335467101	STITCHPLATE/STANDRAD C



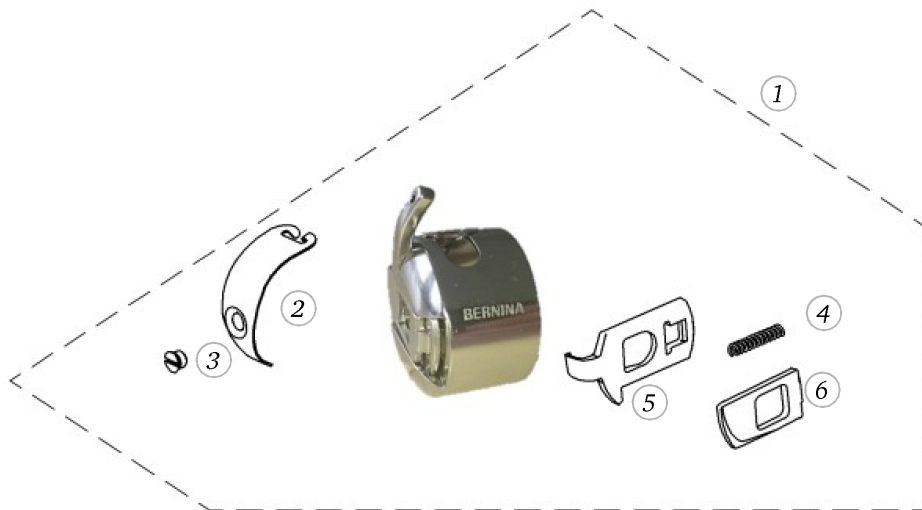
Pos	Item number	Description
1	0330315000	BASEPLATE COVER
2	0300887100	BASEPLATE ASSEMBLED
3	0003445000	RUBBER FOOT
4	0329905022	Delta Pt Round Washer Head Screw With Torx 3x 8
5	0003597000	Adjusting Nut Cpl
6	0078865054	SCREW TORX DUOTAPTITE
7	0316135200	INSULATION MAT



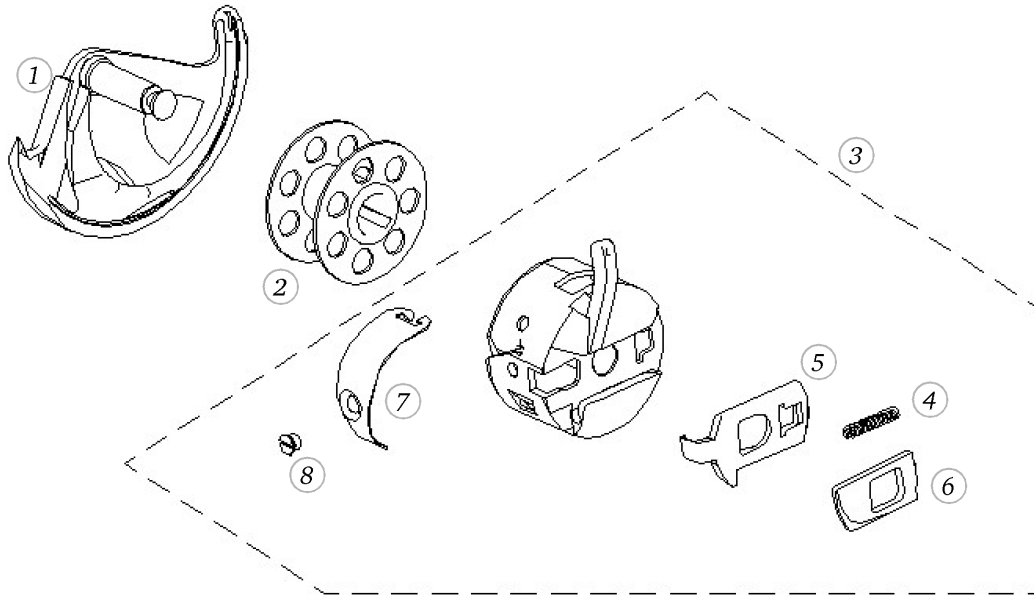
Pos	Item number	Description
1	0311595100	HOOK-GUIDEWAY FINISHED
2	0310285000	NEEDLE PLATE SUPPORT
3	0032465110	Socket Button Head Screws M3x 6 ISO 7380-1 - BN6404 Art-No. 1982990
4	0311825000	Calotte Disc
5	22953723++	Washer d4.1xD10xs0.5
6	0078865045	Socket Pan Head Thread Forming Screws M4x16 DIN7500 - BN13916 Art-No. 2027615
7	0031635100	THREAD GUIDE
8	0066335100	THREAD GUIDE PLATE
9	0077525020	SCREW TORX M2.5X4
10	0314007200	HOOK-DRIVER-PREASS.
10	0314007300	HOOK DRIVER PREASS.
11	0007325100	DRIVER SPRING
12	0020485000	SUPPORT SHEET
13	21500683++	SCREW M2.5
14	0300025000	AXLE
15	23228553++	Washer 6.2/10x0.15
16	23501753++	Circlip For Shafts d1 5 DIN6799 - BN809 Art-No.1284665
17	0017205200	LOW-HEAD-SCREW-M3
17	0017205300	thru head screw
18	0301315000	Latch
18	0301315100	latch
19	0078865043	Socket Pan Head Thread Forming Screws M4x10 DIN7500 - BN13916 Art-No. 2027593
20	0015867000	HOLDER CPL
21	0015387200	SHUTTLE RACE COVER CPL.
22	0329495001	SCREW M2,3X4
23	0082255004	CYLINDRICAL PIN D3X80
24	0078885043	Button Head Screw Torx Dt M4x10

Bobbin Case with BERNINA Logo

Pos	Item number	Description
4	0015347150	bobbin case cpl.- bobbin case hinge nickle platet YS
1	0015347250	bobbin case cpl. bobbin case hinge nickle platet YS
2	1028945000	CB tension spring BERNINA Logo
3	1028955000	CB tension screw BERNINA Logo
4	1028965000	CB latch Spring BERNINA Logo
5	1028975000	CB latch BERNINA Logo
6	1028985000	CB flap BERNINA Logo

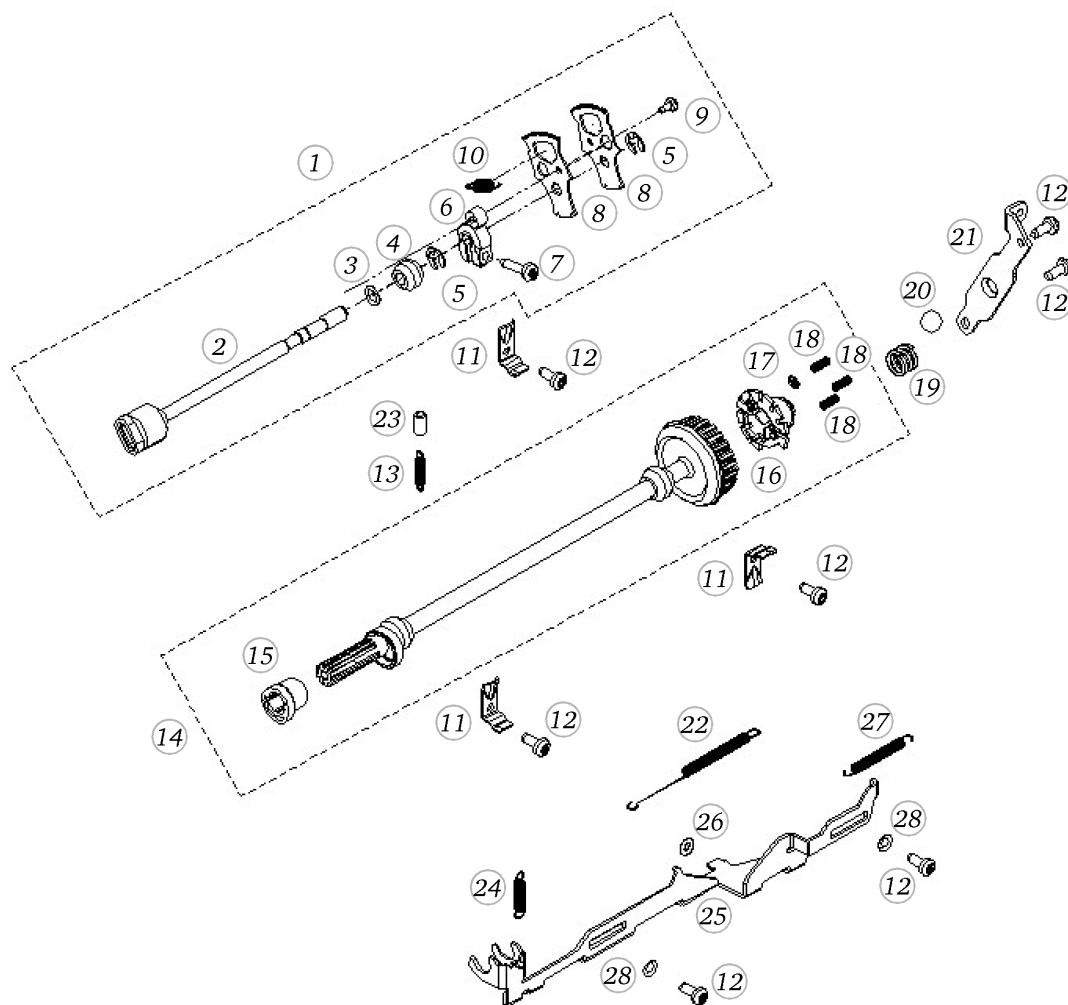


Hook with bobbin



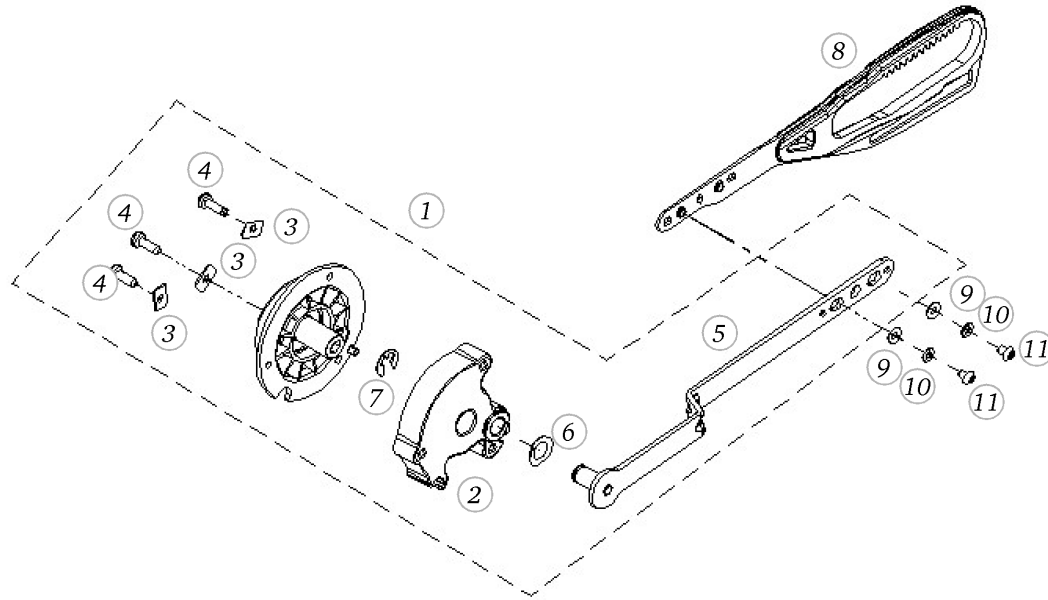
Pos	Item number	Description
1	0302065400	CB-HOOK
2	0015367200	BOBBIN
2	0015367300	bobbin
3	0015347800	BOBBIN CASE CPL. NICKEL
3	0015347250	bobbin case cpl. bobbin case hinge nickle platet YS
4	25512503++	SPRING
5	0005685200	BOBBIN CASE HINGE NICKEL PLATE
6	0005695100	BOBBIN CASE HINGE NICKEL PLATED
7	317006333+	BOBBIN CASE SPRING
8	317007030+	SCREW

Crank- and Base Shaft

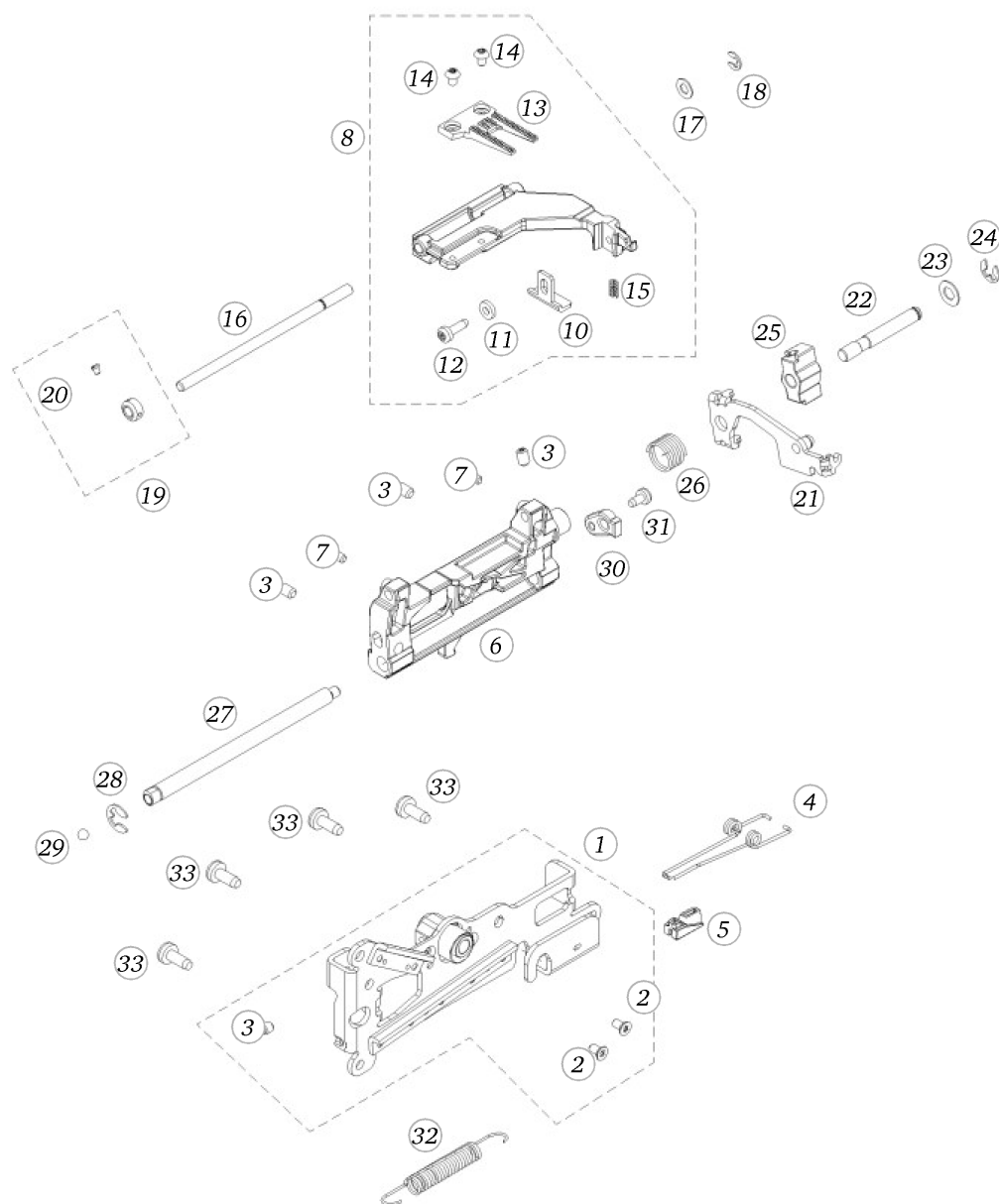


Pos	Item number	Description
4	0078367002	CRANK SHAFT CPL.
1	0078367302	CRANK SHAFT CPL.
2	0078365001	CRANK SHAFT
3	0078955031	Synthetic Washer
4	0078235001	Bearing
5	23501753++	Circlip For Shafts d1 5 DIN6799 - BN809 Art-No.1284665
6	0078035100	STITCH LENGTH CLAMP V180
7	0078865045	Socket Pan Head Thread Forming Screws M4x16 DIN7500 - BN13916 Art-No. 2027615
8	0078025000	TOOTH SEGMENT
9	0078865033	Socket Pan Head Thread Forming Screws M3x6 DIN7500 - BN13916 Art-No. 2027534
40	0078445000	Tension Spring-De=5,0 L0=15,5 d=0,5
10	0343315000	Tension Spring De=6 L0=18,5 d=0,85
11	0078715200	FIXATION PIECE
12	0078865043	Socket Pan Head Thread Forming Screws M4x10 DIN7500 - BN13916 Art-No. 2027593
13	0079187100	Spring Cpl
14	0304497001	Base Shaft/Hook Drive Crank - Replacement Set
15	0048555000	LIFTING CAM
16	0048305000	CARRIER
17	0079135003	Circlip d3 2 Quicklock - BN833 Art-No.1292811
18	0049645000	SPRING
19	0303625000	SPRING
20	0011695003	ball G40 dm10
21	0048285200	THRUST BEARING PLATE
22	0078435000	Zugfeder
23	0321705000	HOSE
24	25603003++	TENSION SPRING
25	0301415000	FEEDDOG LINKAGE LEVER
26	0030735002	O-ring Seal D4/d2 70ShoreA NBR DIN3771
27	25606703++	TENSION SPRING
28	23226953++	WASHER 5.3x8.5x0.15

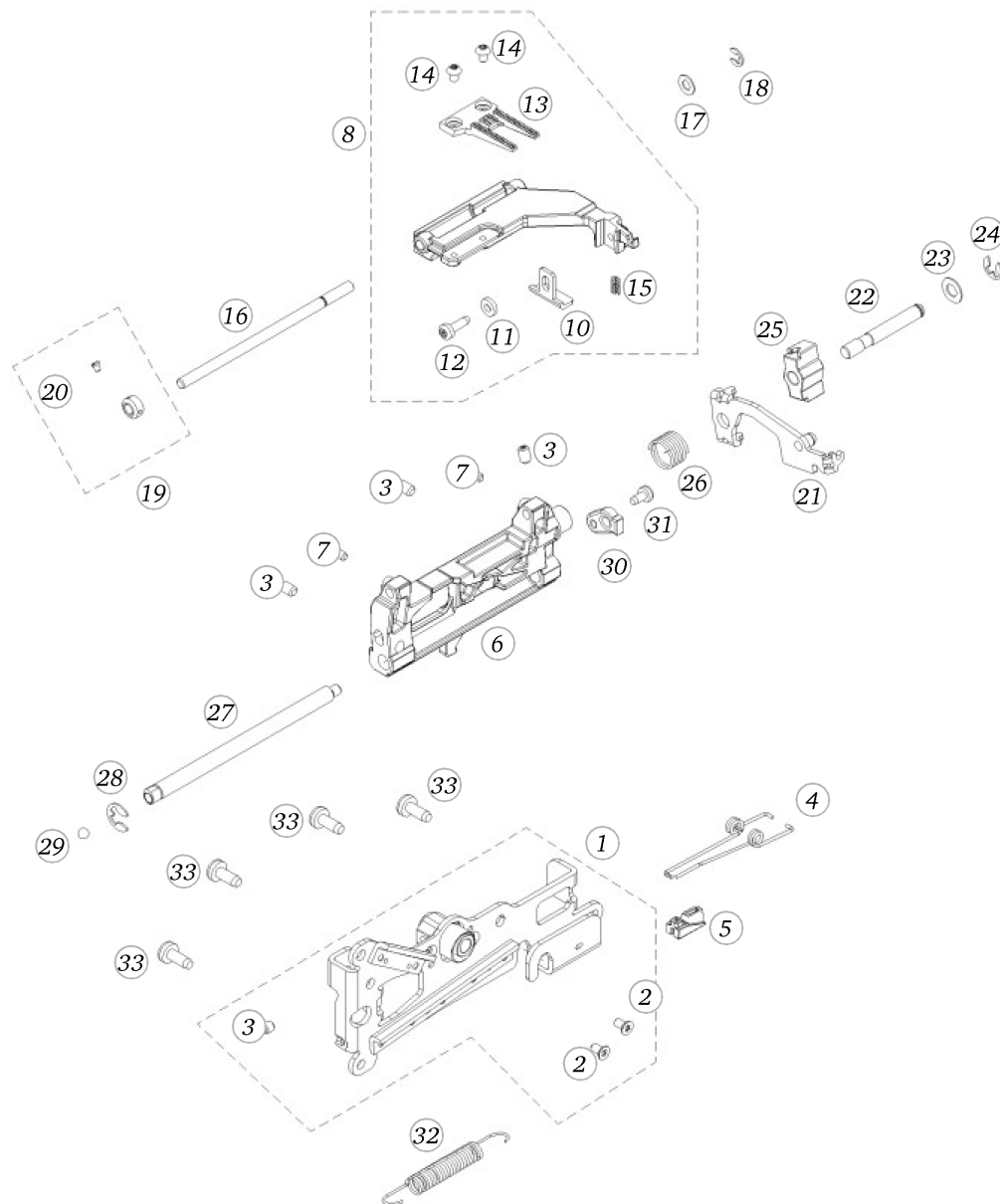
Hook Driving System



Pos	Item number	Description
1	0304497001	Base Shaft/Hook Drive Crank - Replacement Set
2	0312225000	HOOK DRIVE CRANK
3	0301995000	WASHER
4	0078865035	Socket Pan Head Thread Forming Screws M3x10 DIN7500 - BN13916 Art-No. 2027550
5	0049397000	CRANK ARM CPL
6	23228653++	WASHER 7.2x12x0.1
7	23501753++	Circlip For Shafts d1 5 DIN6799 - BN809 Art- No.1284665
8	0301575200	TOOTHED RACK FORK
9	22951923++	Flat Washer d3.2/D 7xs0.5
10	23225753++	Curved Spring Washers M3 DIN 137 A - BN795 Art- No. 1280317
11	0032465008	Socket Button Head Screws M3x4.5 screw head after BN6404

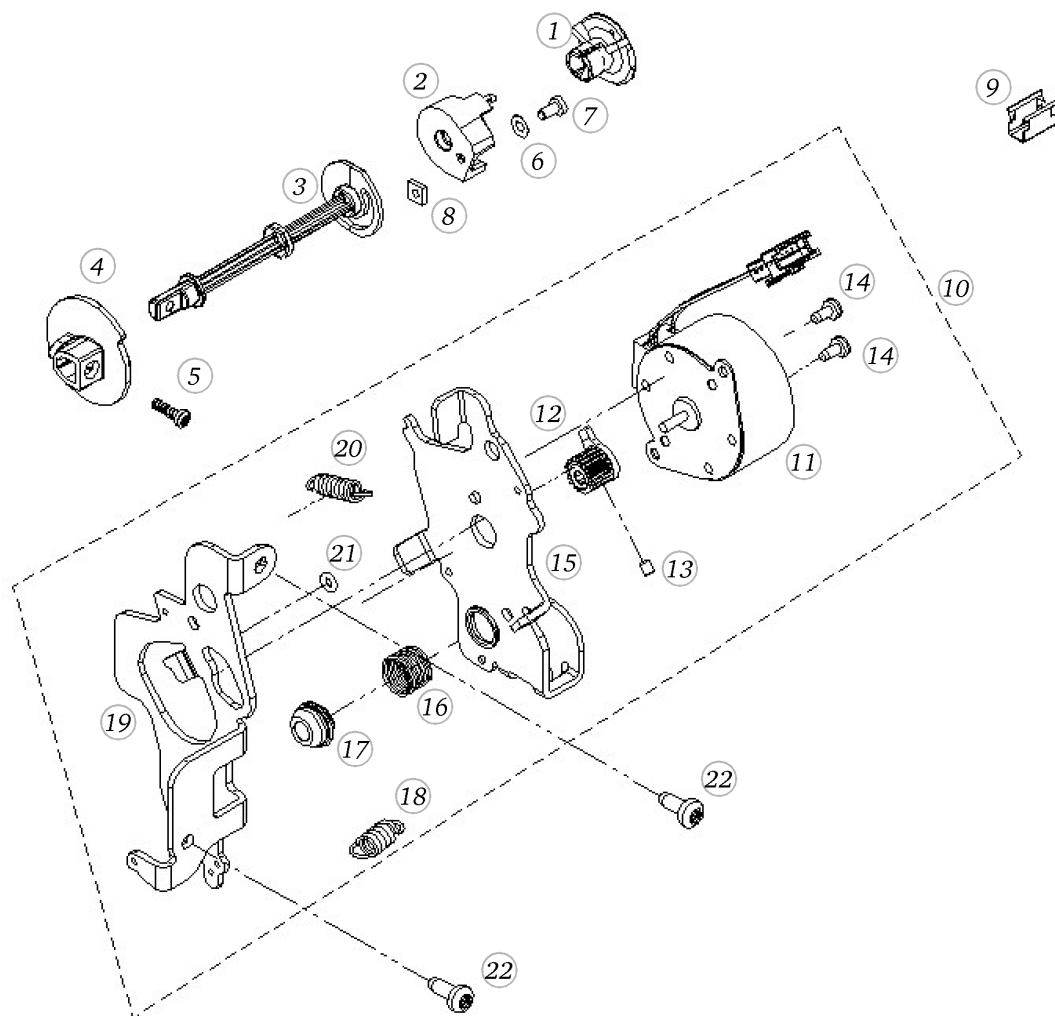


Pos	Item number	Description
1	0309337000	SUPPORT SHEET CPL
2	0302345032	SCREW
3	0078665043	Hexalobular Socket Set Screws M4x6 ISO 4026 - BN11493 Art-No. 3060208
4	0301215100	SPRING
5	0049595000	SLIDE BLOCK
6	0000245600	FEED DOG FORK
7	0078665031	Hexalobular Socket Set Screws M3x4 ISO 4026 - BN11493 Art-No. 3060200
8	0302217000	FEEDDOG SUPPORTER CPL.
9	0302155000	FEEDDOG 5.5 MM
10	0000785200	ADJUSTING PLATE
11	22952113++	Washer 3.2/7x1.5 black finished
12	0000785200	ADJUSTING PLATE
13	0302155000	FEEDDOG 5.5 MM
14	0032465008	Socket Button Head Screws M3x4.5 screw head after BN6404
15	25524003++	Compression Spring De= 3,2 L0=7 d=0,45
16	0302015000	SLIDING AXLE
17	22954983++	Shim Rings 4x0.5 DIN988 - BN1976 Art-No. 3059655
18	23501453++	Circlips For Shafts d1 4 DIN6799 - BN809 Art-No.1284657
19	0011217001	Adjusting Ring Cpl with 1 screw
20	20500353++	Cylinder Head Screw M2x2.5
21	0078047200	THRUST REVERSER CPL.
22	0078075000	BOLT
23	23100203++	Flat Washer d5.2-10x0.5
24	23501453++	Circlips For Shafts d1 4 DIN6799 - BN809 Art-No.1284657
25	0049975000	BEARING
26	0079055000	SPRING
27	0049695100	ECCENTRIC SHAFT
28	23501753++	Circlip For Shafts d1 5 DIN6799 - BN809 Art-No.1284665



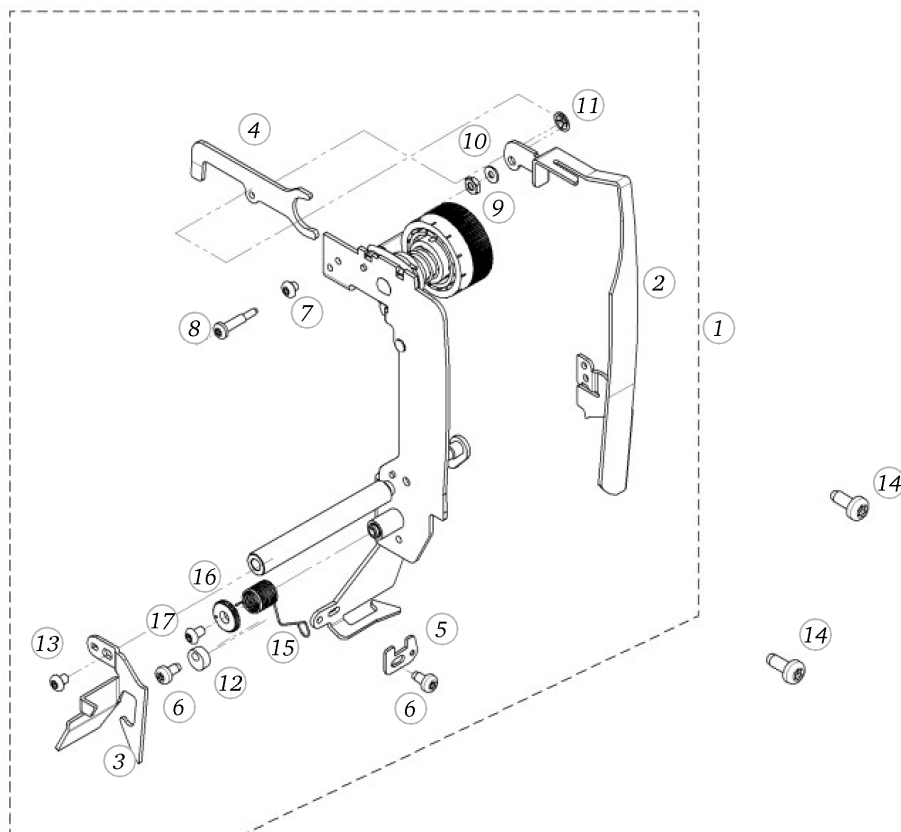
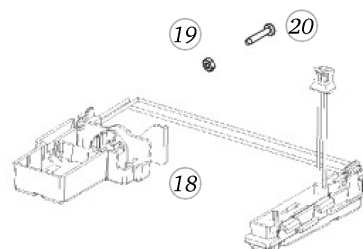
Pos	Item number	Description
29	0011695002	Steel Ball G40 D4 DIN5401 - BN869 Art-No. 1316281
30	0049975000	BEARING
31	0078865033	Socket Pan Head Thread Forming Screws M3x6 DIN7500 - BN13916 Art-No. 2027534
32	0078905000	SPRING
33	0078865043	Socket Pan Head Thread Forming Screws M4x10 DIN7500 - BN13916 Art-No. 2027593

Feed Dog Unit



Pos	Item number	Description
1	0088607200	CAP CPL
2	0078315100	ADJUSTING SUPPORT
3	0301585100	ROTATION CONNECTOR
4	0078285100	ADJUSTMENT CAM
5	0329895012	Delta Pt Pan Head Screw With Torx 3x10
6	22951923++	Flat Washer d3.2/D 7xs0.5
7	0077525031	Head Cap Screw Torx M3x6 ISO 14580 - BN4850 Art-No. 1145929
8	22683623++	4 SIDED NUT
9	0048315000	Clamp
10	0303117300	STEPPING MOTOR SL CPL.
11	0078355202	STEPPING MOTOR SL
12	0078085100	PINION
13	0078665031	Hexalobular Socket Set Screws M3x4 ISO 4026 - BN11493 Art-No. 3060200
14	0078865033	Socket Pan Head Thread Forming Screws M3x6 DIN7500 - BN13916 Art-No. 2027534
15	0303075000	MOTOR SUPPORT SHEET
16	0078565000	SPRING
17	0078545000	Bearing
18	0306905000	Spring
19	0088295200	SUPPORT SHEET
20	25629203++	Spring
21	0030735005	O-ring Seal D3/d1.5 70±5 IRHD NBR 70,5 / 5 P DIN3771
22	0078865043	Socket Pan Head Thread Forming Screws M4x10 DIN7500 - BN13916 Art-No. 2027593

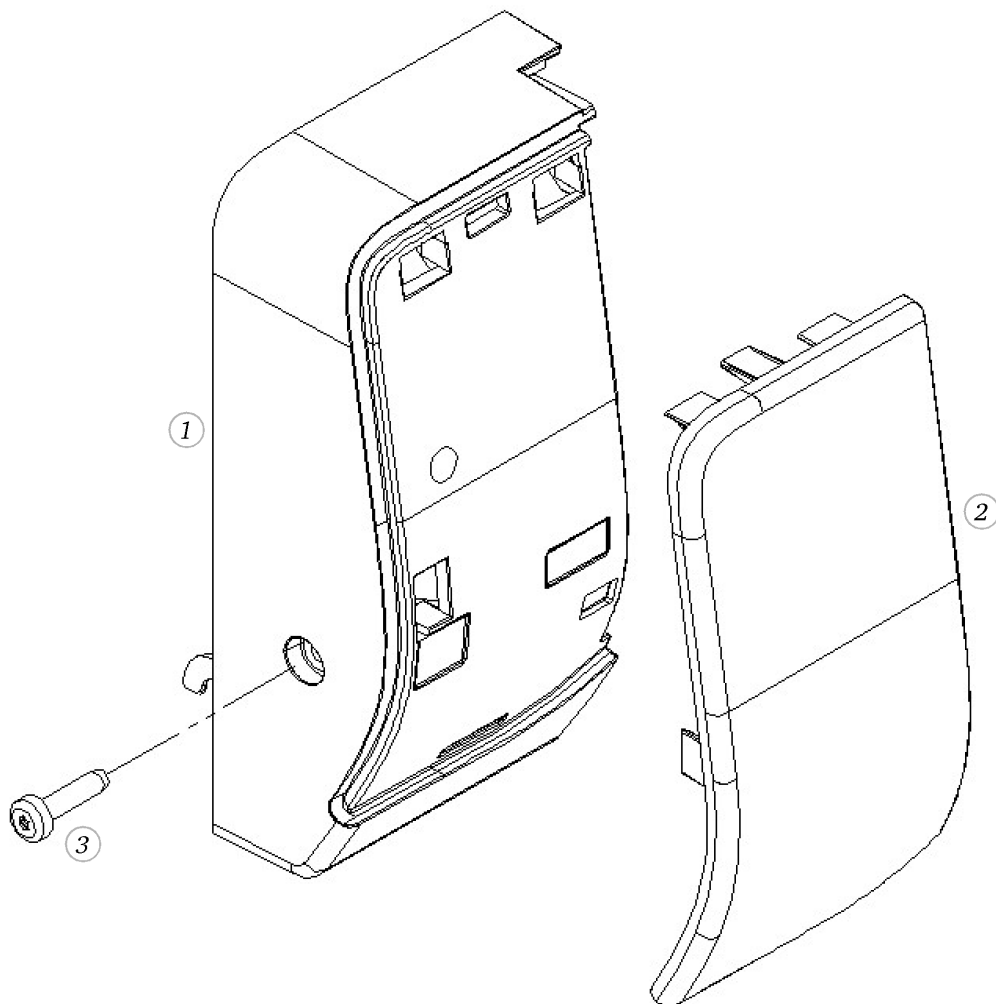
Take Up Lever and Sewing Light



Pos	Item number	Description
4	0049417601	TAKE-UP-LEVER COVER CPL.
1	0049417700	take up lever cover cpl. standard
2	0079505303	TAKE-UP-LEVER COVER
2	0079505302	TAKE-UP-LEVER COVER
3	0079515000	COVER REGULATOR
4	0049325200	RELEASE FORK
5	0082855001	Z-Z LIMITATION 5,5MM
6	0078865033	Socket Pan Head Thread Forming Screws M3x6 DIN7500 - BN13916 Art-No. 2027534
7	0032465109	Socket Button Head Screws M3x3 ISO 7380-1 - BN6404 Art-No. 3645748
8	0300295100	ADJUSTING SCREW
9	22502013++	Hex Jam Nut M3 Din439b
10	22950313++	Washer d2.5 x D6 x s0.5
11	0079135003	Circlip d3 2 Quicklock - BN833 Art-No.1292811
12	0079565000	BUFFER BLOCK
13	0032465007	Socket Button Head Screws M3x 4 ISO 7380-1 - BN6404 Art-No. 3148111
14	0078865043	Socket Pan Head Thread Forming Screws M4x10 DIN7500 - BN13916 Art-No. 2027593
15	0079545401	Regulator Spring
16	0326395000	Knurled Washer
17	0032465031	Socket Button Head Screws M3x 5 ISO 7380-1 - BN6404 Art-No. 3148113
18	0330327100	SEWING LIGHT CPL.
19	22500203++	NUT M2 0,8D
20	0078865015	Socket Pan Head Thread Forming Screws M2x10 DIN7500 - BN13916 Art-No. 3271298

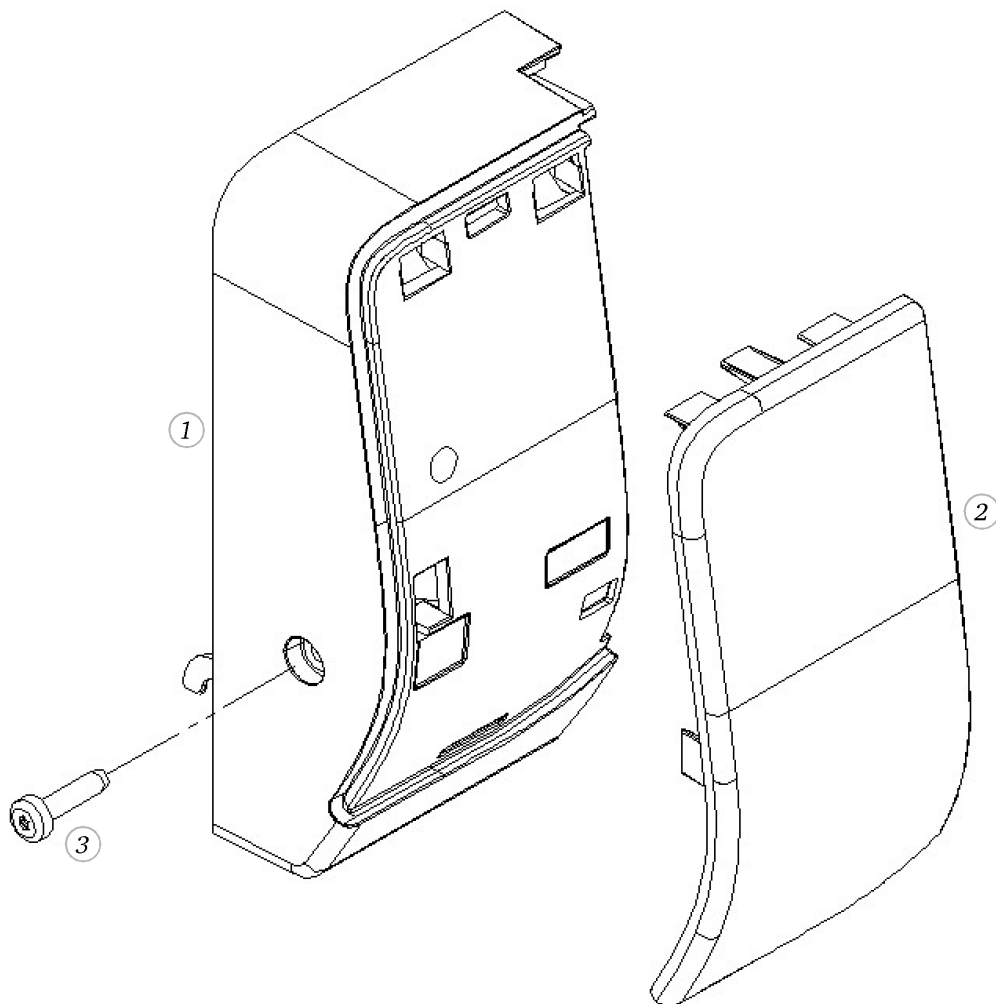
Head cover (BERNINA 330)

Pos	Item number	Description
1	0330295200	HEAD COVER B3XX
2	0330285200	PANEL HEAD COVER B330
3	0078865045	Socket Pan Head Thread Forming Screws M4x16 DIN7500 - BN13916 Art-No. 2027615



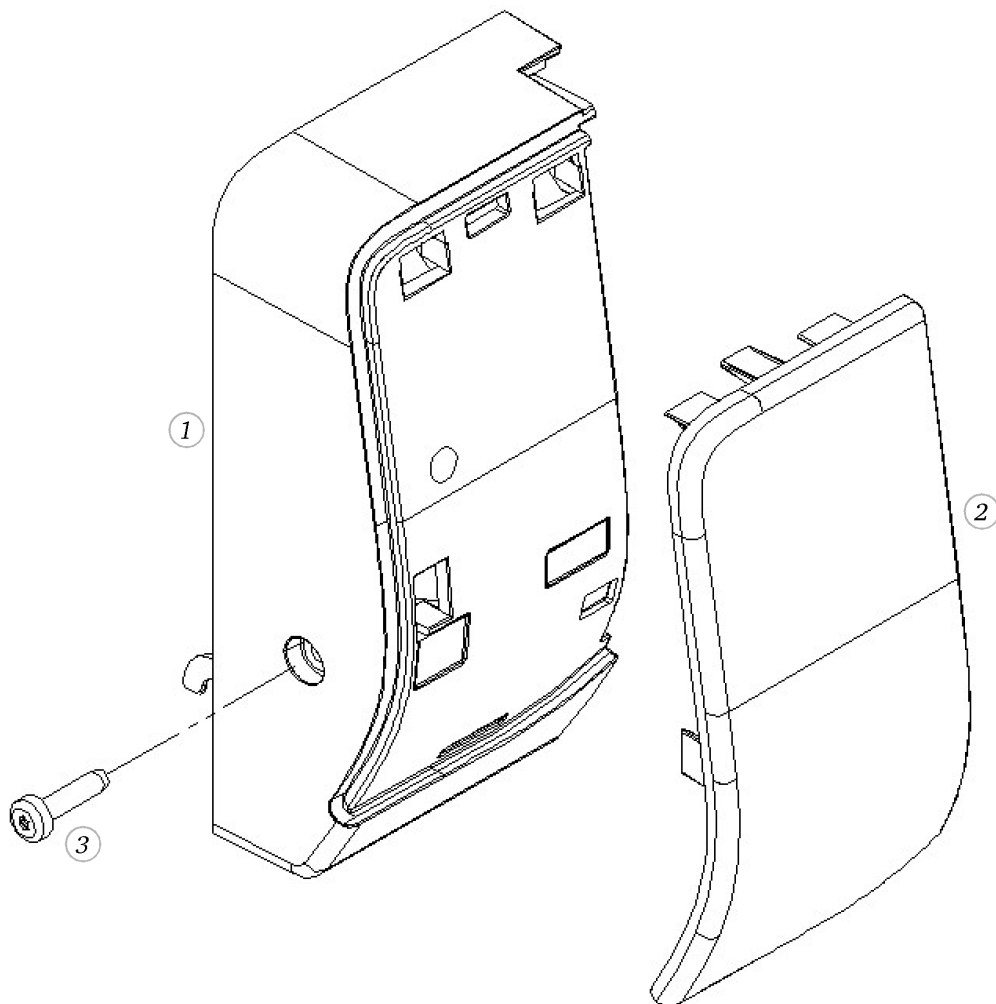
Head cover (BERNINA 350)

Pos	Item number	Description
1	0330295200	HEAD COVER B3XX
2	0330285301	PANEL HEAD COVER B350
3	0078865045	Socket Pan Head Thread Forming Screws M4x16 DIN7500 - BN13916 Art-No. 2027615



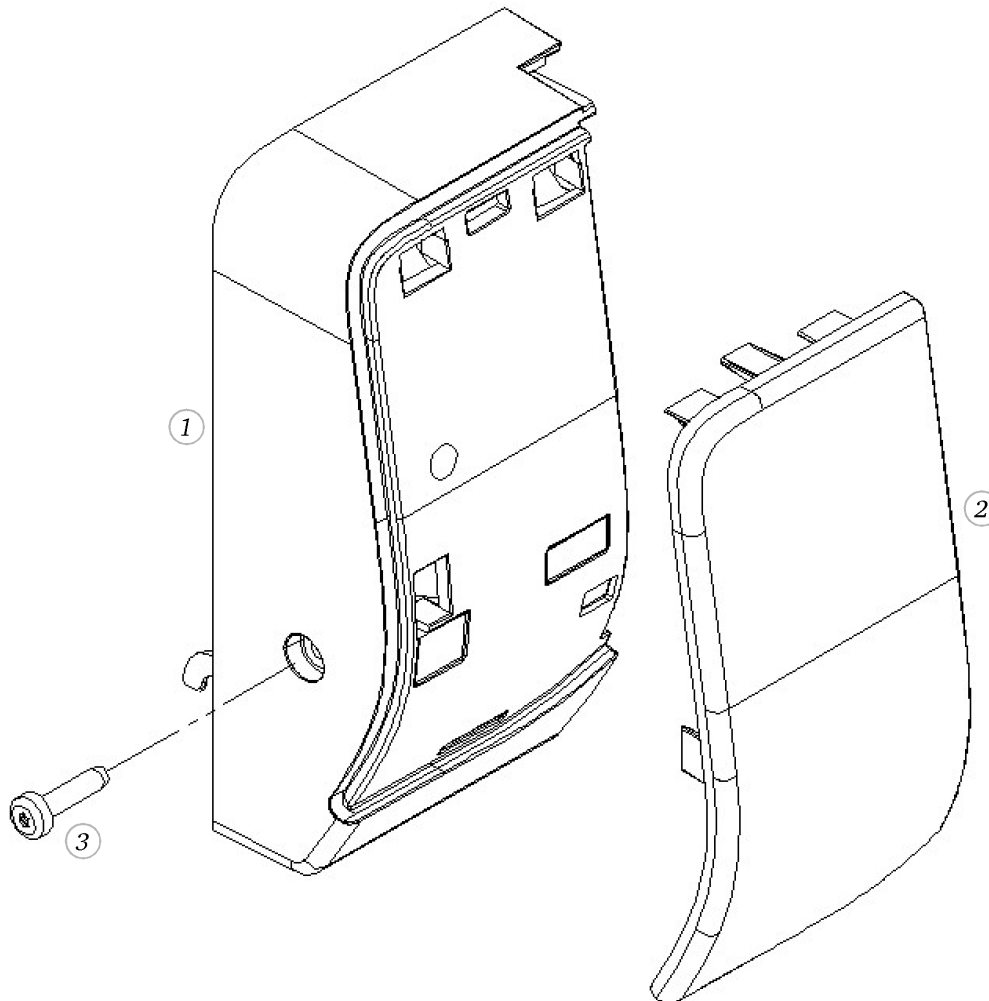
Head cover (BERNINA 350 PE)

Pos	Item number	Description
1	0330295200	HEAD COVER B3XX
2	0330285003	PANEL HEAD COVER B350 PE
3	0078865045	Socket Pan Head Thread Forming Screws M4x16 DIN7500 - BN13916 Art-No. 2027615

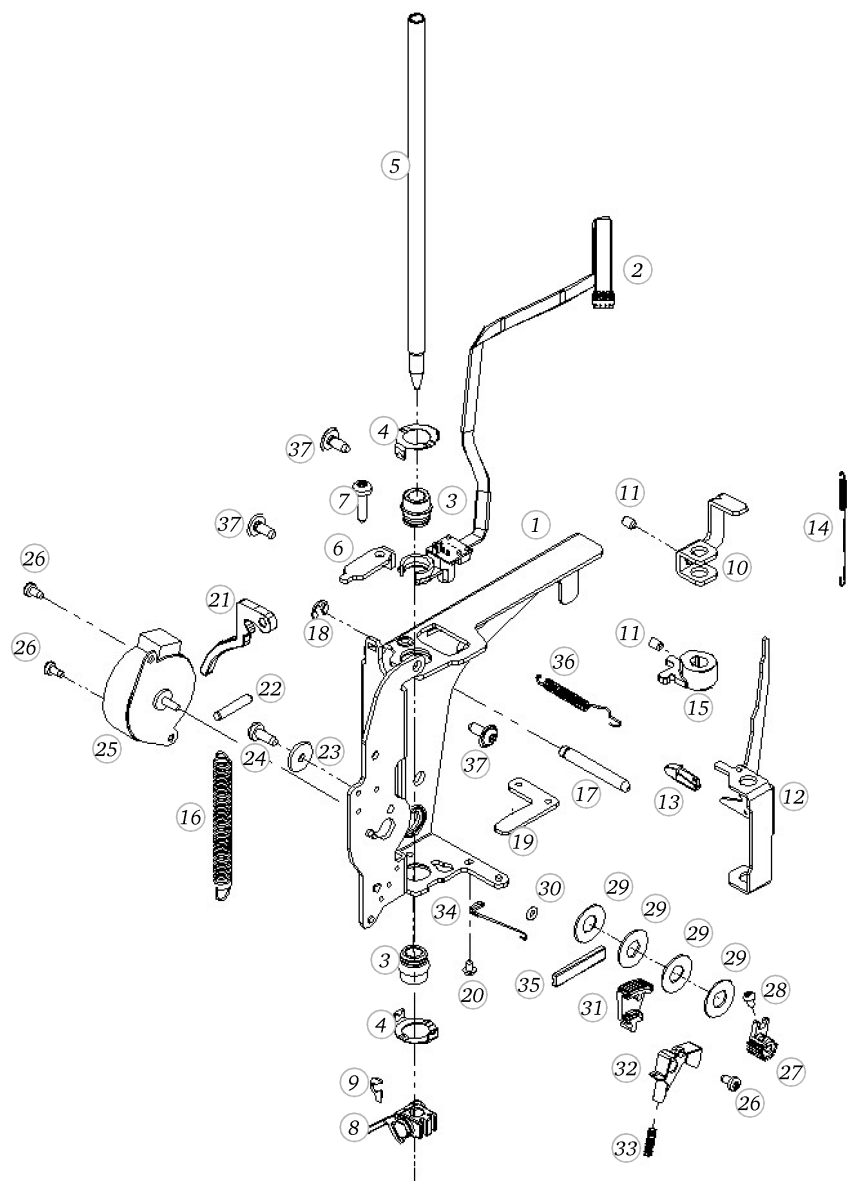


Head cover (BERNINA 380)

Pos	Item number	Description
1	0330295200	HEAD COVER B3XX
2	0330285202	PANEL HEAD COVER B380
3	0078865045	Socket Pan Head Thread Forming Screws M4x16 DIN7500 - BN13916 Art-No. 2027615

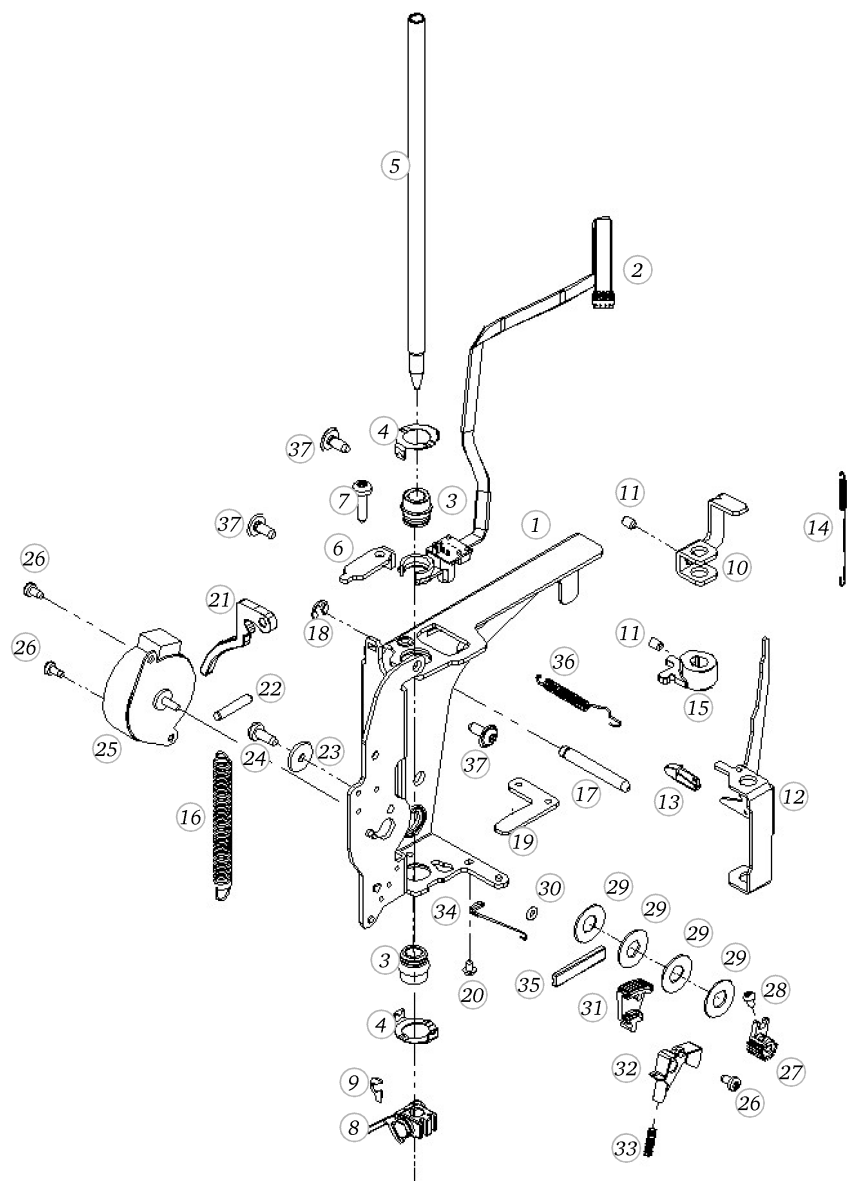


Headplate

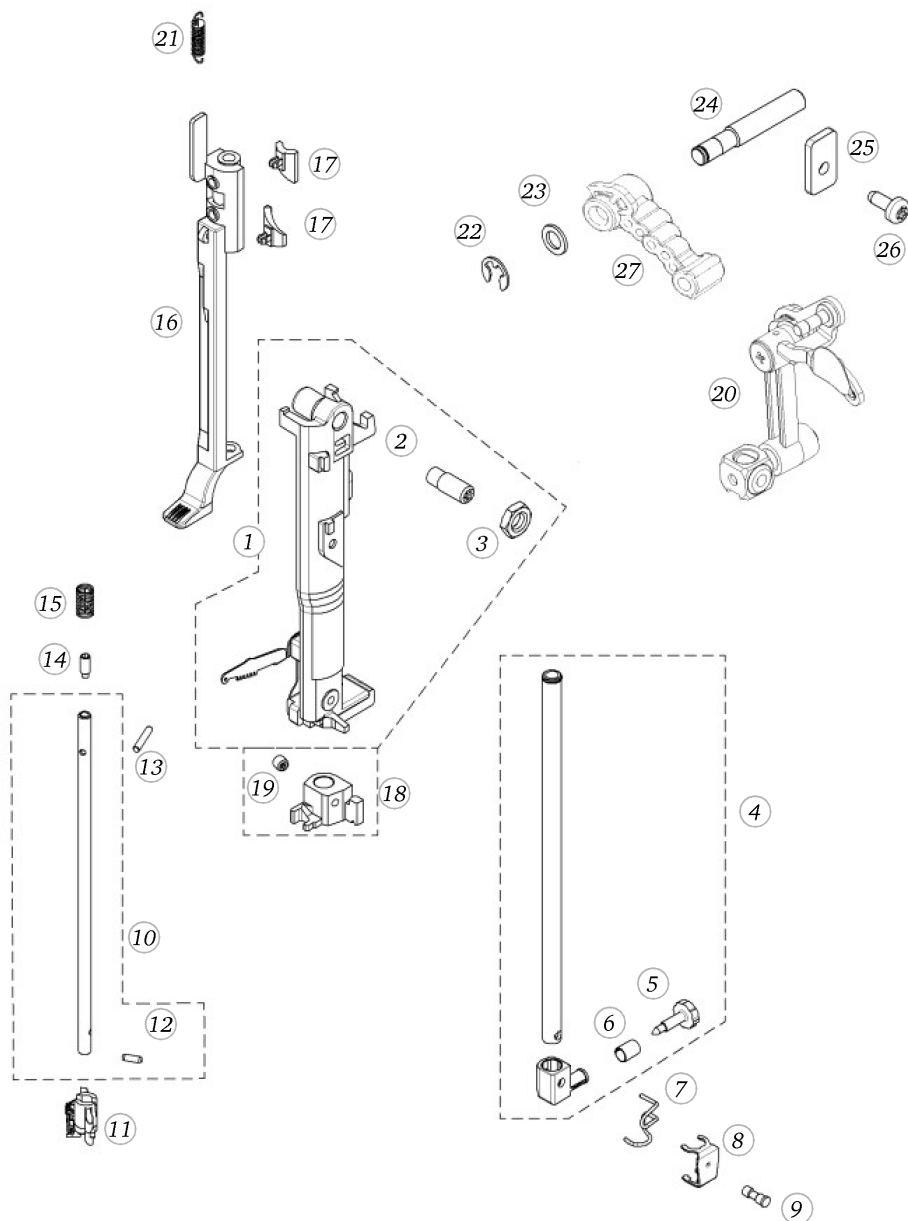


Pos	Item number	Description
1	0088065200	HEAD PLATE
2	0159787201	PRINT BUTTONHOLE SENSOR
3	0088105200	CALOTTE BUSHING MACHINED
4	0048875000	Clasp
5	0087335000	PRESSER FOOT BAR 157.5
6	0301285000	CLAMPING SHOE
7	0078865045	Socket Pan Head Thread Forming Screws M4x16 DIN7500 - BN13916 Art-No. 2027615
8	0011177101	Clamp piece cpl.
9	0089325000	Safety Plate
10	0089225000	LEVER
11	0078665043	Hexalobular Socket Set Screws M4x6 ISO 4026 - BN11493 Art-No. 3060208
12	0088095100	ENGAGING LEVER
13	0306255000	Cap
14	0303585100	Spring
15	0089247100	PRESSER BAR GUIDE CPL
16	0303715000	NFS-SPRING
17	0087145002	BOLT
18	23501453++	Circlips For Shafts d1 4 DIN6799 - BN809 Art- No.1284657
19	0049075000	ADJUSTING ARM
20	0032465008	Socket Button Head Screws M3x4.5 screw head after BN6404
21	0075685300	LIFTING LEVER
22	24116643++	PIN D 4.0X20
23	22954313++	Washer d4.2xD14xs1.5
24	0078865043	Socket Pan Head Thread Forming Screws M4x10 DIN7500 - BN13916 Art-No. 2027593
25	0337875000	STEPPER MOTOR
25	0078355005	STEPPING MOTOR SB
26	0078865033	Socket Pan Head Thread Forming Screws M3x6 DIN7500 - BN13916 Art-No. 2027534
27	0302135000	PINION

Headplate

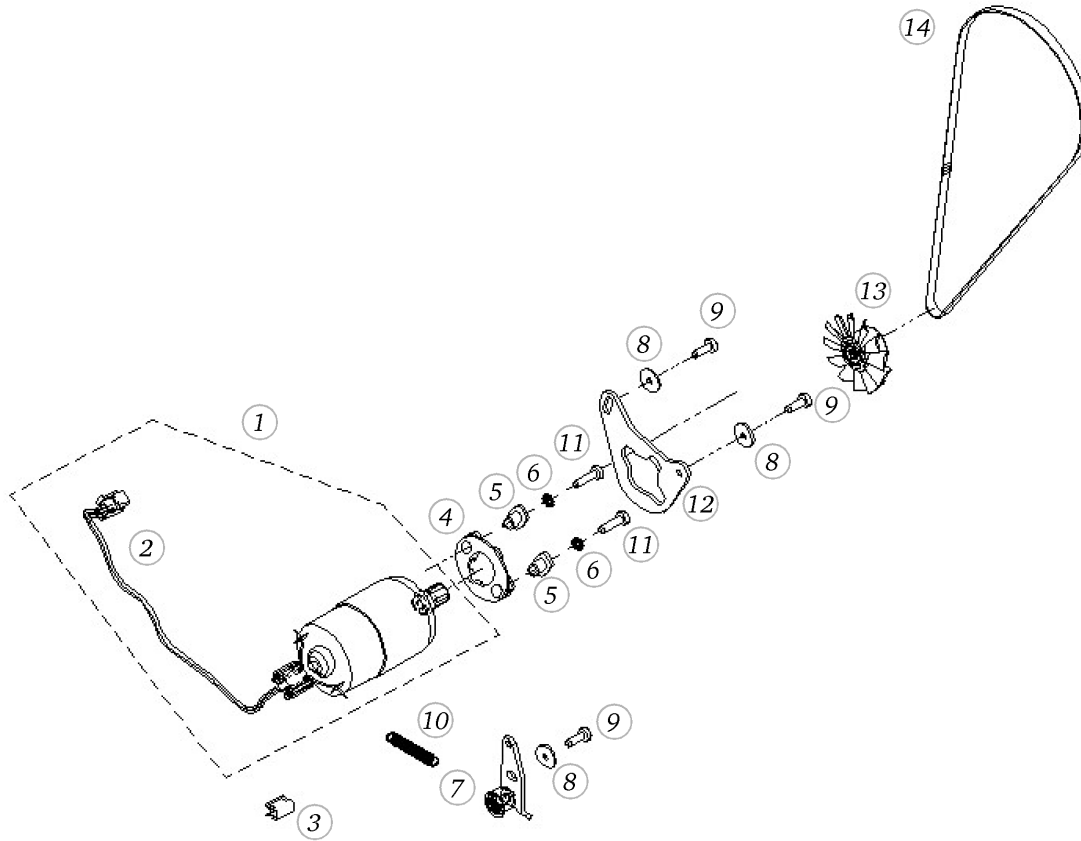


Pos	Item number	Description
28	0032465110	Socket Button Head Screws M3x 6 ISO 7380-1 - BN6404 Art-No. 1982990
29	0303195000	DISC SPRING De=18 / di=8,2 / t=0,8
30	0030735005	O-ring Seal D3/d1.5 70±5 IRHD NBR 70,5 / 5 P DIN3771
31	0300895000	ZZ-SEGMENT
32	0049065100	ZZ SUPPORT
33	0303595000	Spring
34	0303445000	SPRING
35	0302045000	Slideway
36	0303575200	SPRING
37	0078885043	Button Head Screw Torx Dt M4x10



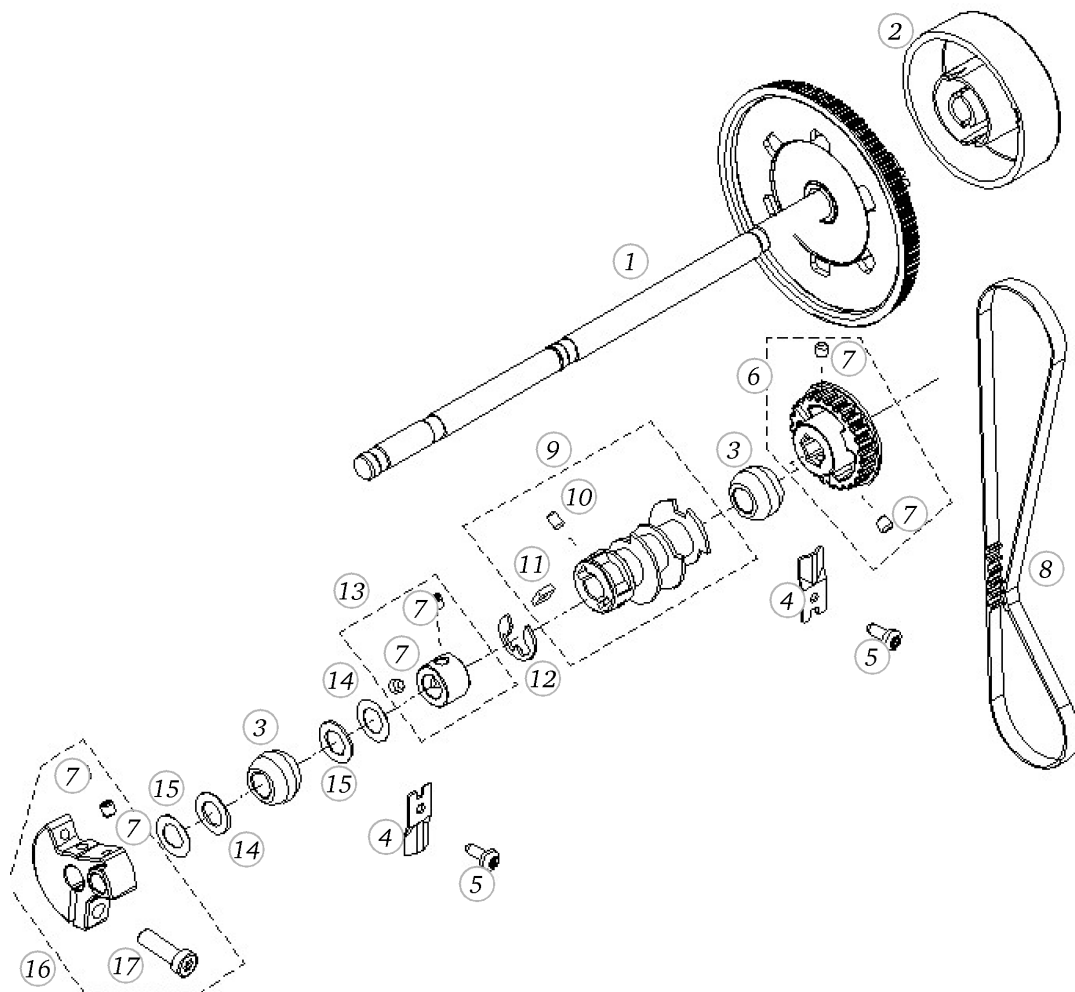
Pos	Item number	Description
1	0320797001	NEEDLE BAR SUPPORT SET
2	0320115000	ADJUSTING-SCREW
3	0320125000	0320125_00
4	0082087101	NEEDLE BAR CPL. W/O Q2.9
5	0082435300	Needle Clamp Screw
5	0082435400	Needle Clamp Screw
6	0012965200	Spring Husk
7	0315035100	THREAD GUIDE
8	0315025000	Clamp
9	0082115002	PIN Ø2.20
10	0075747200	Threader Device Cpl.
11	0337927100	Threader Head Packed Semi-automatic
12	0075955015	PIN
13	24105643++	Parallel Pin Hardened 2h6x12 BN 858
14	20150113++	Hexagon Socket Set Screw M3x8
15	0075965000	Druckfeder -
16	0306445100	Thread-up Support
17	0306495000	Curve Inset
18	0075637300	Guide Assembled
19	0078665041	Hexalobular Socket Set Screws M4x4 ISO 4026 - BN11493 Art-No. 3060207
20	0087987302	THREAD TAKE UP LEVER CPL.
21	25625503++	Spring
22	23501753++	Circlip For Shafts d1 5 DIN6799 - BN809 Art-No.1284665
23	23001213++	Flat Washer d6.2xD10xs1
24	0088205000	BOLT
25	0049205100	Clamp
26	0078865043	Socket Pan Head Thread Forming Screws M4x10 DIN7500 - BN13916 Art-No. 2027593
27	0082025200	TAKE-UP-LINK
27	0082025300	take-up-link

Motor

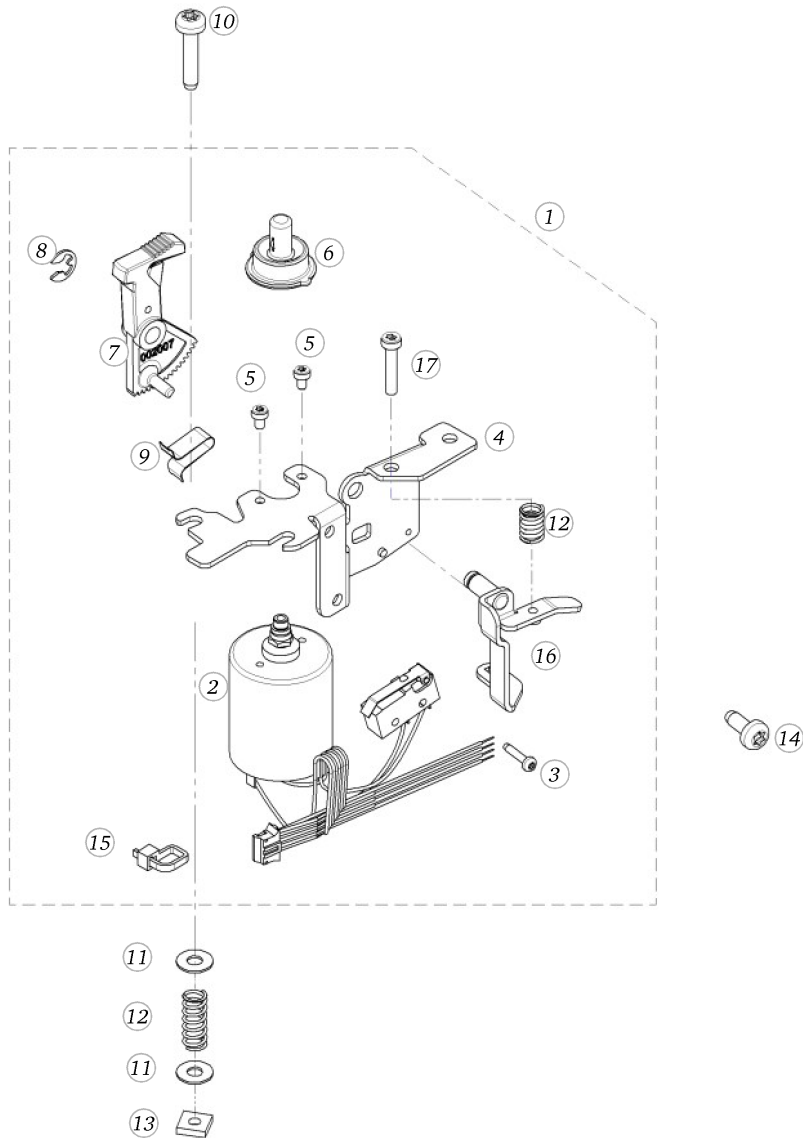


Pos	Item number	Description
1	0078847201	DRIVER MOTOR CPL
2	0038537101	MOTOR CABLE CPL
3	0048315000	Clamp
4	0078985100	Cuff
4	0078985200	Cuff
5	0078995100	Bushing
5	0078995200	Bushing
6	23350653++	Curved Spring Washe d4.3xD8xs0.5
7	0302147000	BELT STRETCHER PREASSEMBLED
8	22954313++	Washer d4.2xD14xs1.5
9	0078865044	Socket Pan Head Thread Forming Screws M4x12 DIN7500 - BN13916 Art-No. 2027607
10	25604703++	TENSION SPRING
11	0078865045	Socket Pan Head Thread Forming Screws M4x16 DIN7500 - BN13916 Art-No. 2027615
12	0088495000	Motor Support
13	0304355200	MOTOR FAN
14	0079035002	BELT STD-554-S2M-6

Upper Shaft



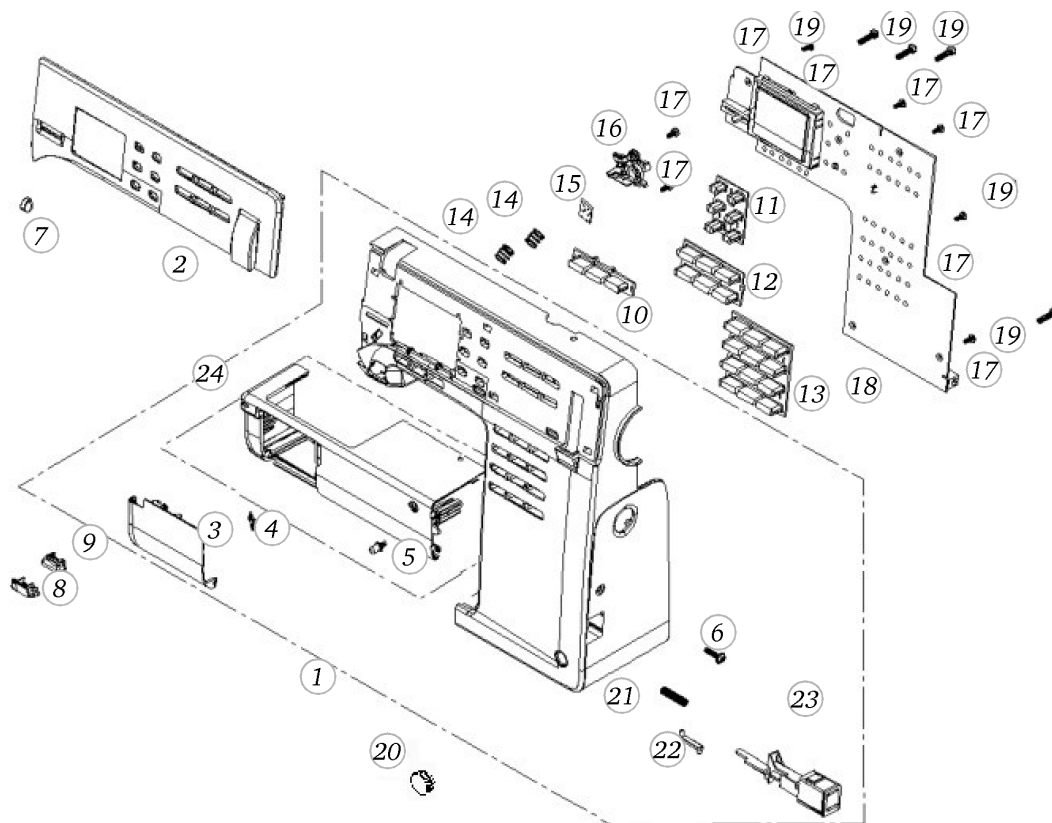
Pos	Item number	Description
4	0332787300	MAIN-SHAFT-CPL
1	0332787400	MAIN SHAFT CPL
2	0343955000	Hand-Wheel
2	0343955200	Hand Wheel
3	0078235002	Bearing 10
4	0077785200	Clamping Clow with slote
4	0077785300	Clamping Clow with slote
5	0078865043	Socket Pan Head Thread Forming Screws M4x10 DIN7500 - BN13916 Art-No. 2027593
6	0019947301	BELT DRIVE 24 TEETH
7	0078685072	Hexalobular Socket Set Screws M5x0,5x5
8	0079035022	BELT 188 XL
9	0077547101	SYNCHR.DISK CPL.
10	0078665043	Hexalobular Socket Set Screws M4x6 ISO 4026 - BN11493 Art-No. 3060208
11	22684183++	Square Thin Nuts M4 DIN 562 - BN145 Art-No. 1092502
12	0079665011	Circlip For Shafts As 9.0, Benzing
13	0077817000	Adjusting Ring Cpl.
14	303200031+	Washer
15	0078955071	Synthetic Washer 10,3 x 17 x 1
16	0077807100	BALANCE PIECE CPL.
17	0077525066	Head Cap Screw Torx M6x20 ISO 14580 - BN4850 Art-No. 1146149
17	0077525067	SCREW



Pos	Item number	Description
1	0311537200	BOBBIN WINDER CPL.
2	0022577103	BOBBIN WINDER MOTOR CPL.
2	0311537200	BOBBIN WINDER CPL.
3	0078865015	Socket Pan Head Thread Forming Screws M2x10 DIN7500 - BN13916 Art-No. 3271298
4	0311515000	WINDER SUPPORT
5	0077525020	SCREW TORX M2.5X4
6	0018437200	Spool Carrier Cpl. white
7	0020077100	BOBBIN WINDER LEVER CPL.
8	23501453++	Circlips For Shafts d1 4 DIN6799 - BN809 Art- No.1284657
9	0077745000	Spring
10	0078865046	Socket Pan Head Thread Forming Screws M4x20 DIN7500 - BN13916 Art-No. 3070342
11	22955013++	Flat Washer 4.3/10x0.6 black
12	25545003++	Spring
13	22683903++	Square Nuts M4 s8x2 bright
14	0078865043	Socket Pan Head Thread Forming Screws M4x10 DIN7500 - BN13916 Art-No. 2027593
15	329374030+	CABLE TIE 2,5 x 98mm
16	0311527100	Governor Lever Cpl
17	0077525035	Head Cap Screw Torx M3x16 ISO 14580 - BN4850 Art-No. 1145967

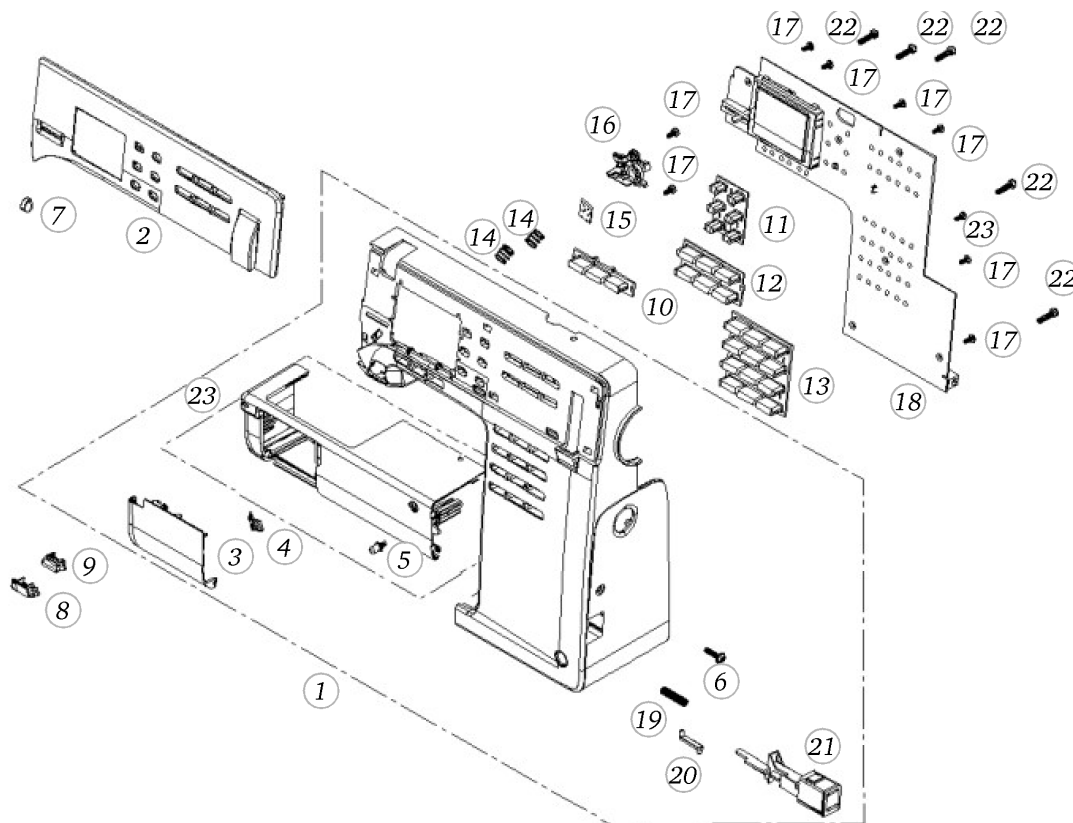
BERNINA 330

Front cover (BERNINA 330/350)



Pos	Item number	Description
1	0329927300	FRONT COVER CPL B330-380
2	0330275200	PANEL FRONT COVER
3	0329917000	BOBBIN DOOR CPL
4	0321337000	THREAD CUTTER CPL
5	0330135000	BOLT
6	0329905043	Delta Pt Round Washer Head Screw With Torx 4x16
7	0311165101	Knob chrom plated
8	0330185000	RETKEY
9	0330195200	STARTKEY
10	0330175000	RUBBER PAD NS
11	0330165000	RUBBER PAD PF
12	0330155000	RUBBER PAD MEM
13	0330145000	RUBBER PAD NUM
14	0330215000	SPRING
15	0330205100	BRIDGE
16	0330227000	PCBA-RET
17	0330227100	PCBA Ret
18	0329905022	Delta Pt Round Washer Head Screw With Torx 3x 8
19	0330257600	PCBA-BASIS 3xx
20	0330257700	PCBA basis cpl
21	0329895034	Delta PT pan head screw
22	0078275000	PLUG
23	0321135000	Spring
24	0300965000	SWITCH LEVER
	0330125000	SWITCH PUSH BUTTON
	0338357000	FREE-ARM COVER 3 SERIES

BERNINA 330

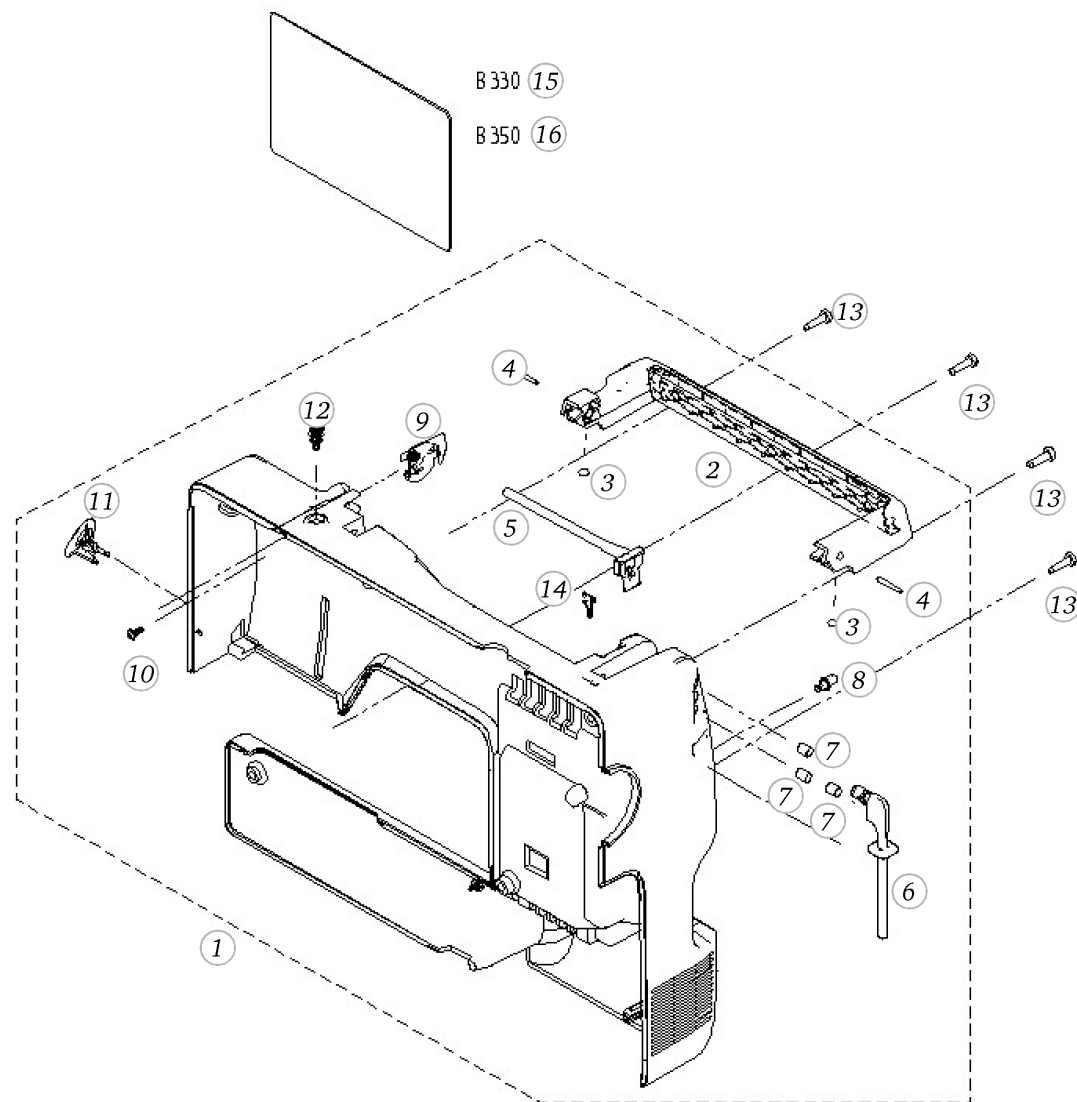


Front cover (BERNINA 380)

Pos	Item number	Description
1	0329927300	FRONT COVER CPL B330-380
2	0330275101	PANEL FRONT COVER 380
3	0329917000	BOBBIN DOOR CPL
4	0321337000	THREAD CUTTER CPL
5	0330135000	BOLT
6	0329905043	Delta Pt Round Washer Head Screw With Torx 4x16
7	0311165101	Knob chrom plated
8	0330185000	RETKEY
9	0330195200	STARTKEY
10	0330445000	RUBBER PAD NS
11	0330165000	RUBBER PAD PF
12	0330155000	RUBBER PAD MEM
13	0330145000	RUBBER PAD NUM
14	0330215000	SPRING
15	0330205100	BRIDGE
16	0330227000	PCBA-RET
17	0330227100	PCBA Ret
18	0329905022	Delta Pt Round Washer Head Screw With Torx 3x 8
19	0330257600	PCBA-BASIS 3xx
20	0330257700	PCBA basis cpl
21	0321135000	Spring
22	0300965000	SWITCH LEVER
23	0330125000	SWITCH PUSH BUTTON
24	0329895034	Delta PT pan head screw
25	0338357000	FREE-ARM COVER 3 SERIES
26	5020100785	CABLE CLIP

BERNINA 330

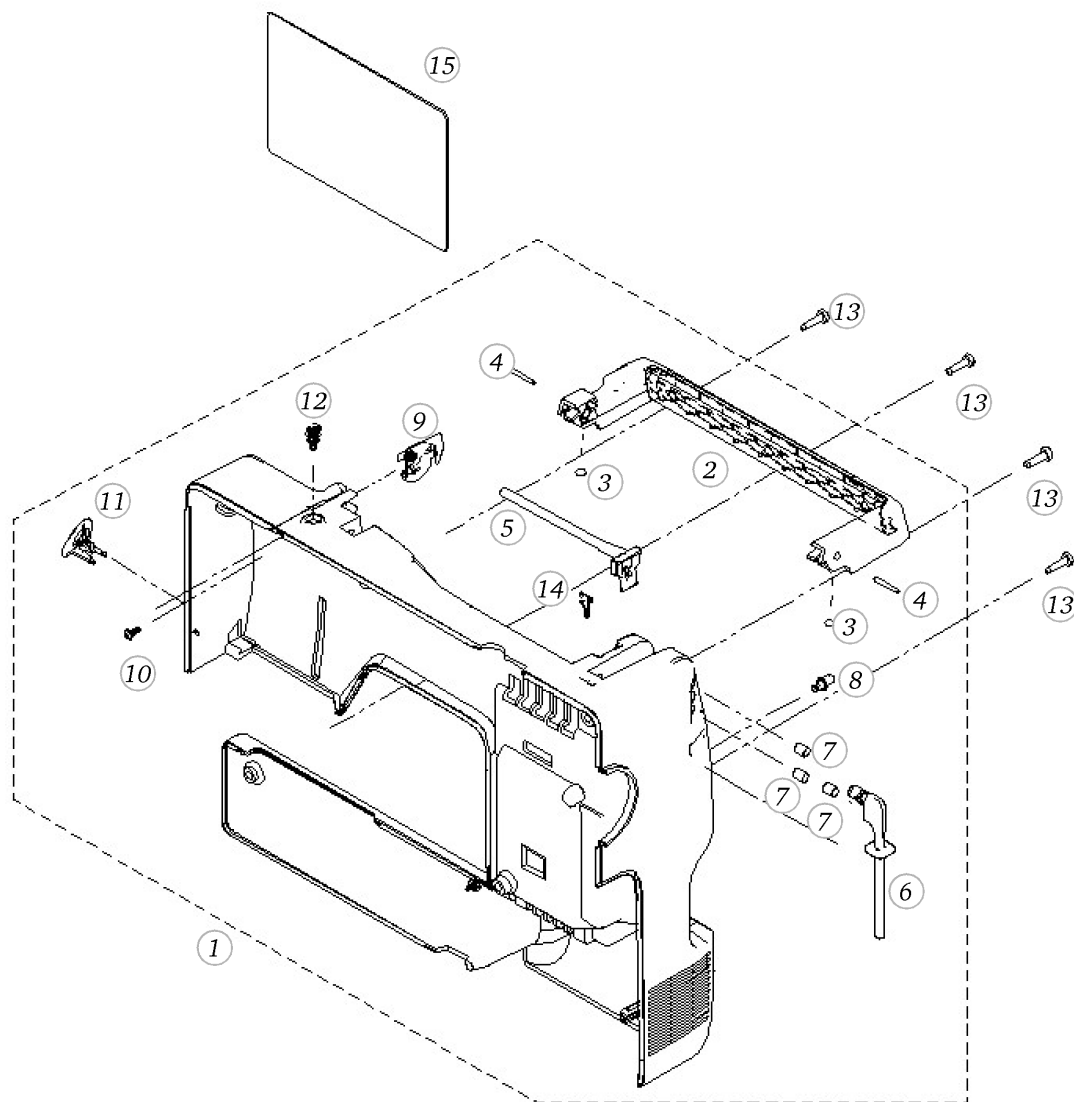
Rear cover (BERNINA 330/350/350PE)



Pos	Item number	Description
1	0329937100	REAR COVER CPL.
2	0330397000	HANDLE CPL.
3	0300725000	Bumpers
4	0082255022	CYL.PIN 5X20
5	0330385000	Spool Support
6	0330367000	Spool Support Pin Turnable Cpl.
7	0330375000	Magnet
8	0330135000	BOLT
9	0049047301	THREAD GUIDE ASSEMBLY
9	1037387000	Thread Guide Cpl
10	0329905022	Delta Pt Round Washer Head Screw With Torx 3x 8
11	0330417000	Thread Cutter Cpl.
12	0048497200	BOBBIN WINDER THREAD TENSION CPL.
13	0078865045	Socket Pan Head Thread Forming Screws M4x16 DIN7500 - BN13916 Art-No. 2027615
14	0330425000	Eye Hook
15	0316075122	STITCHCARD B 330
16	0316075123	STITCHCARD B 350

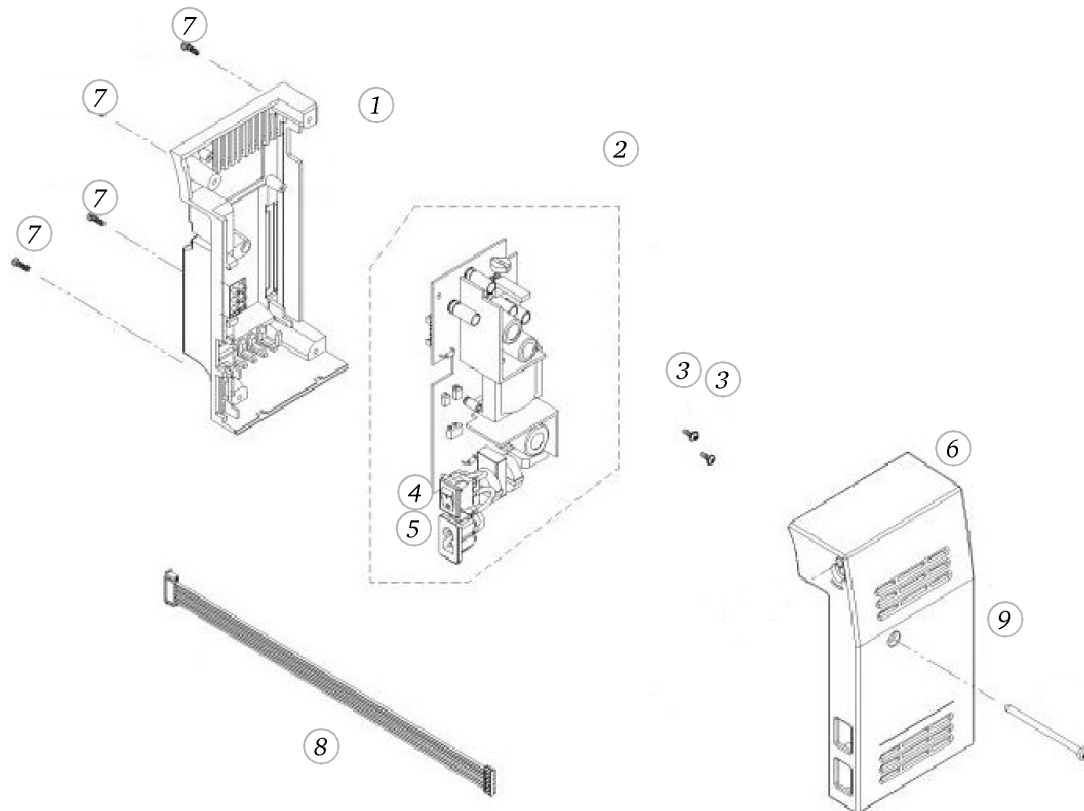
BERNINA 330

Rear cover (BERNINA 380)



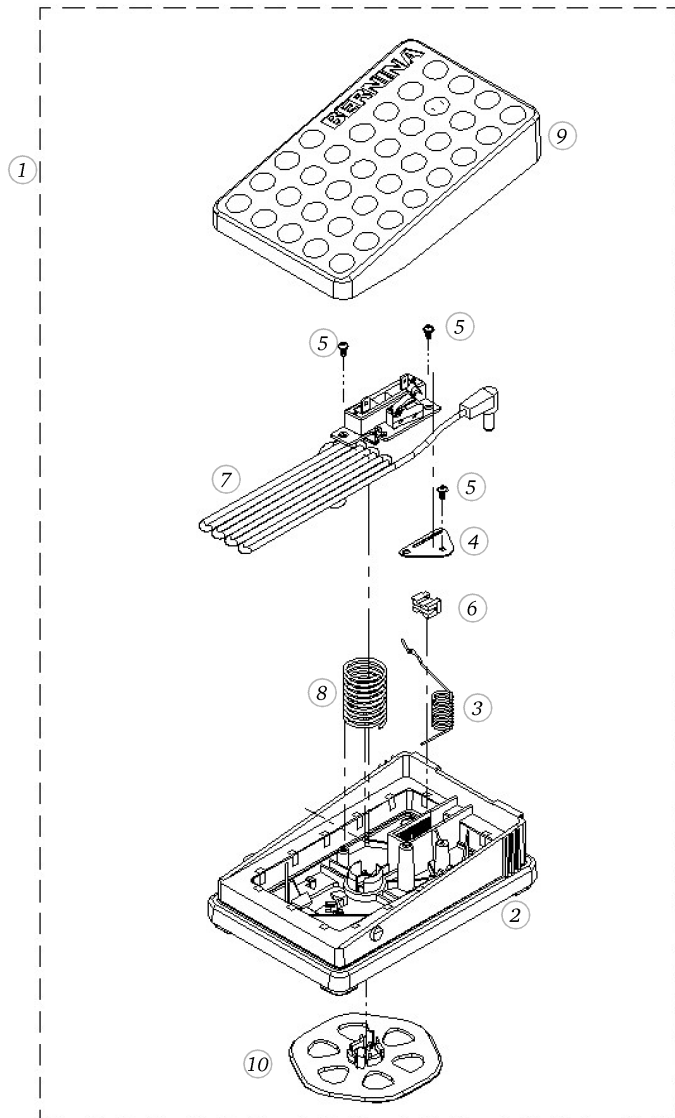
Pos	Item number	Description
1	0329937201	REAR COVER CPL.
2	0330397001	HANDLE CPL.
3	0300725000	Bumpers
4	0082255022	CYL.PIN 5X20
5	0330385000	Spool Support
6	0330367000	Spool Support Pin Turnable Cpl.
7	0330375000	Magnet
8	0330135000	BOLT
9	0049047301	THREAD GUIDE ASSEMBLY
9	1037387000	Thread Guide Cpl
10	0329905022	Delta Pt Round Washer Head Screw With Torx 3x 8
11	0330417000	Thread Cutter Cpl.
12	0048497200	BOBBIN WINDER THREAD TENSION CPL.
13	0078865045	Socket Pan Head Thread Forming Screws M4x16 DIN7500 - BN13916 Art-No. 2027615
14	0330425000	Eye Hook
15	0316075124	STITCHCARD B 380

BERNINA 330



Power supply

Pos	Item number	Description
1	0306365102	UNIVERSAL POWER SUPPLY BODY
2	0309447700	UNIVERSAL L-PRINT CPL.
2	0309447800	PCBA power supply B215 / B3xx
3	0329905022	Delta Pt Round Washer Head Screw With Torx 3x 8
4	0304745000	I/O-switch vertically
5	0304735000	POWER INLET
6	0301235100	COVER L-PRINT
7	0329895012	Delta Pt Pan Head Screw With Torx 3x10
8	0230447100	Cable Cpl.
9	0302195001	TORX SCREW DT

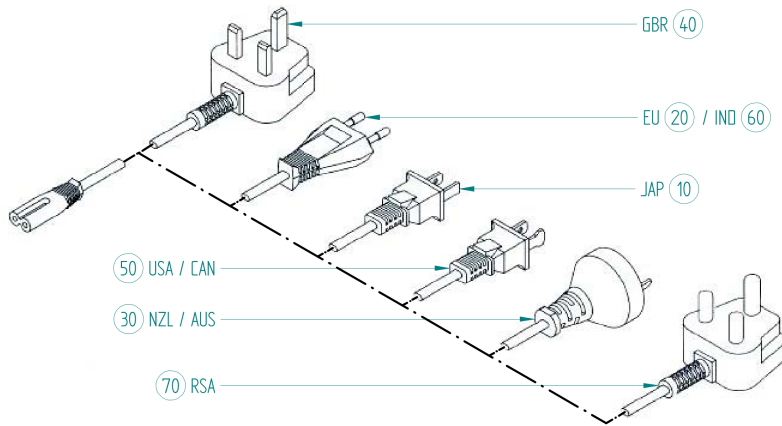


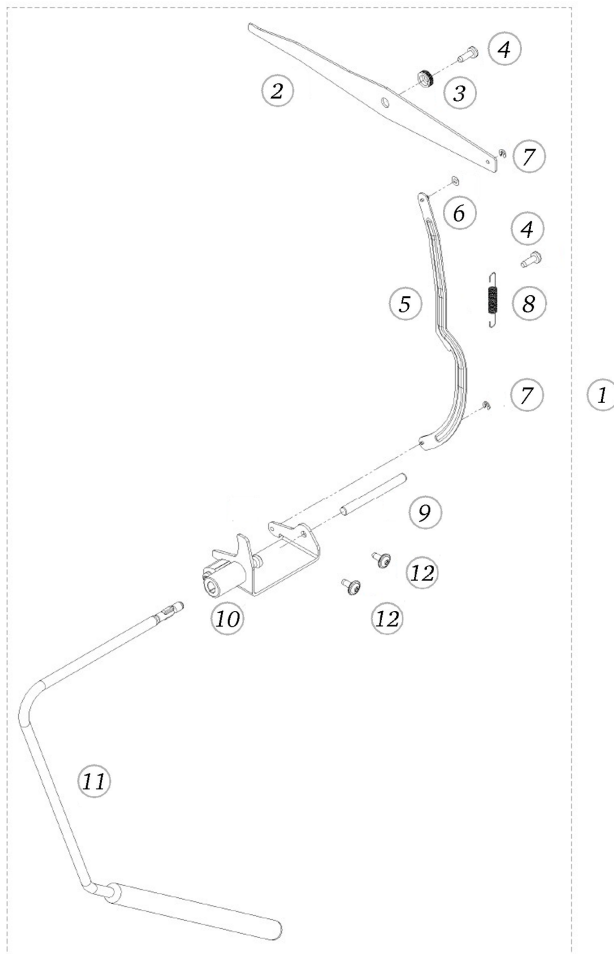
Pos	Item number	Description
1	0089267200	Foot Controller Cpl
2	0089275000	Foot Controller Bottom
3	0049035200	Torsion Spring
4	0048995000	Cover Sheet
5	0023345029	Pan Head Pt Screw 3 x 8 WN1451 - BN20095 Art-No. 3205502
6	0048985100	Slider
7	0049447101	PRINT CPL. FOOTCONTROL
8	0303225000	SPRING
9	0089285000	Foot Controller Cover
10	0079875201	Wire Plate

BERNINA 330

Power Plug

Pos	Item number	Description
10	0079287004	Power Cord Cpl. Japan
20	0079287303	Power Cord Cpl. Europe
30	0079287002	Power Cord Cpl. New Zealand / Australia
40	0079287001	Power Cord Cpl. Great Britain
50	0079287300	Power Cord Cpl. USA / CAN
60	0079287000	Power Cord India
70	0079287405	Power Cord Cpl. South Africa

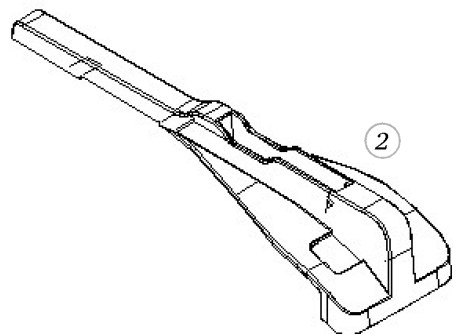
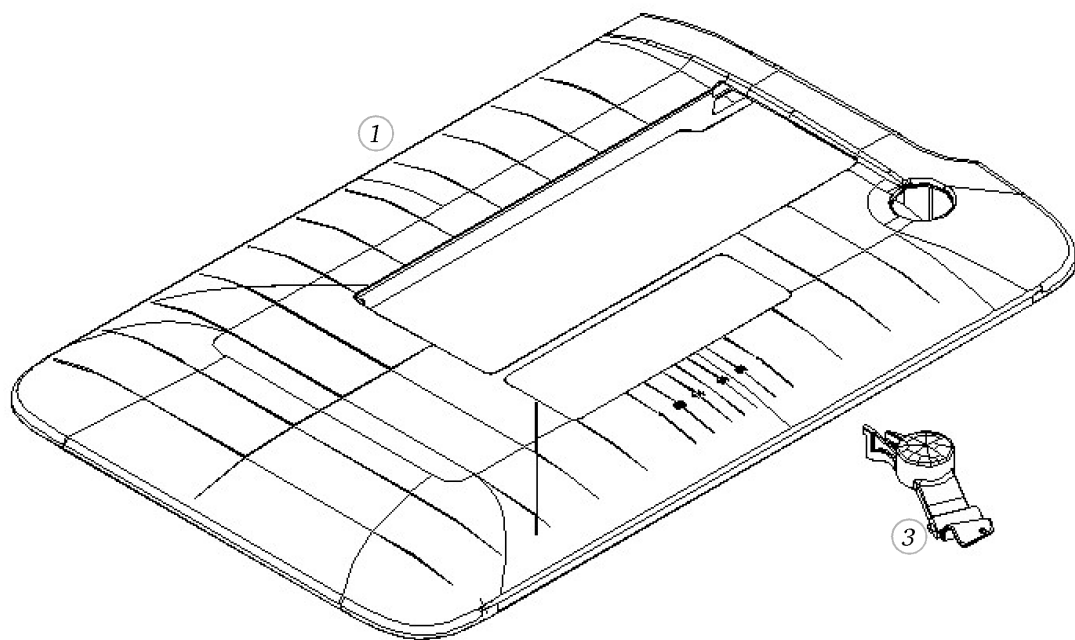




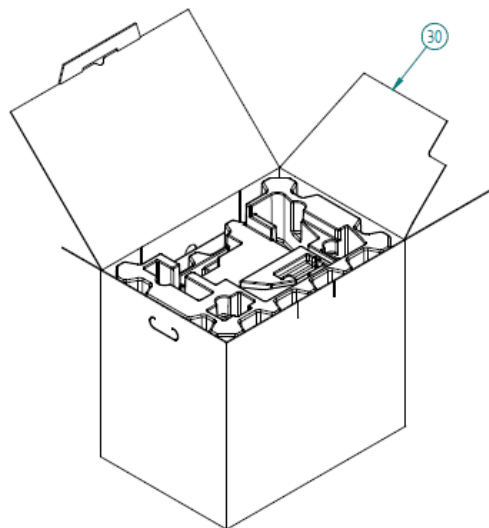
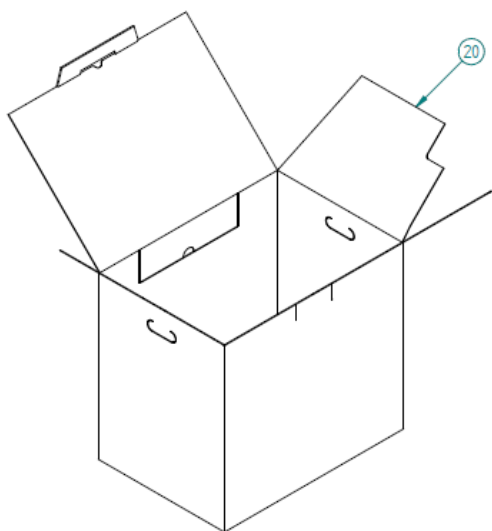
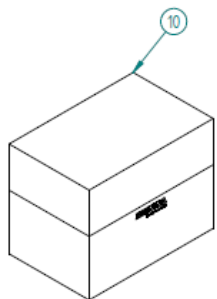
Pos	Item number	Description
1	0301467000	FREE HAND -KIT FHS
2	0301365000	SEESAW
3	0077675100	Eccentric
4	0078865044	Socket Pan Head Thread Forming Screws M4x12 DIN7500 - BN13916 Art-No. 2027607
5	0301477000	CONNECTING STRAP CPL
6	22952013++	Flat Washers M3 ISO 7089 - BN14683 Art-No. 1729241
7	23500853++	Circlips For Shafts d1 2.3 DIN6799 - BN809 Art- No.1284630
8	0078905000	SPRING
9	0082255003	CYLINDRICAL PIN Ø5-h8x16
10	0301347000	FHS BEARING SHEET CPL
11	0016357700	Knee Lifter Lever Cpl.
12	0078885043	Button Head Screw Torx Dt M4x10

Sewing Table

Pos	Item number	Description
1	0330457000	SEWING TABLE CPL
2	0330467000	Seam Guide Cpl
3	0313345100	Pushbutton



Pos	Item number	Description
10	0332825100	DUST COVER GRAY
20	0333035300	Cardboardbox B3xx
30	1056037000	Package set



Accessory bag

Pos	Item number	Description
1	0332815100	Accessory Bag Grey

①

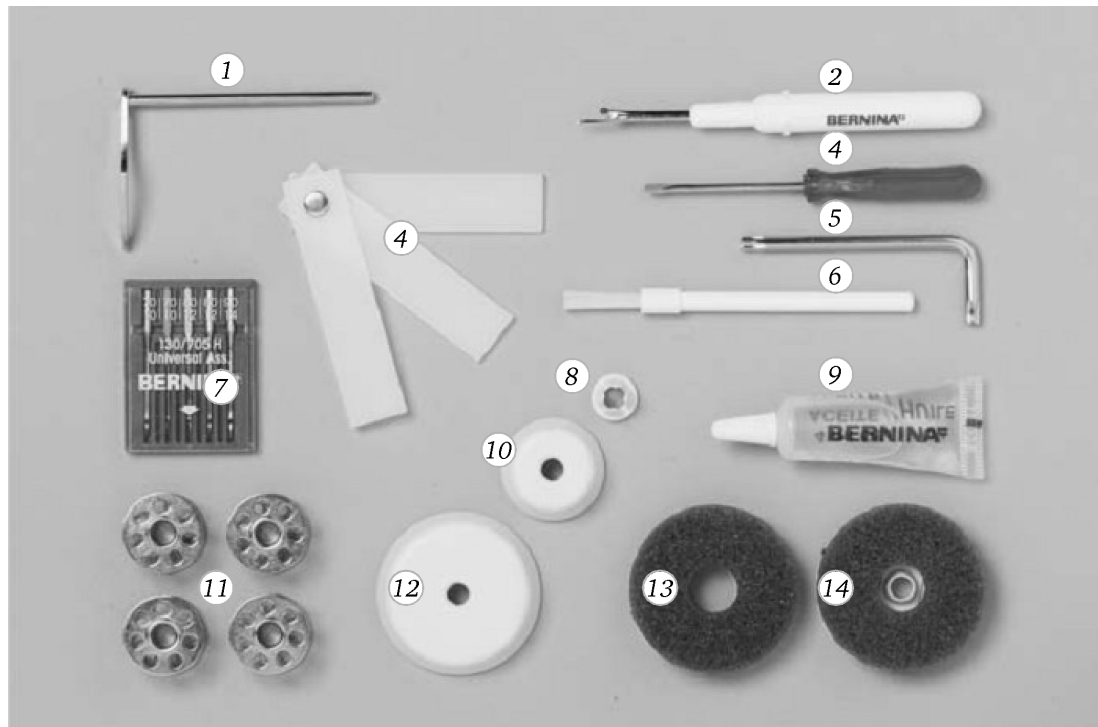


Accessories Box

Pos	Item number	Description
1	0332835200	Accessory Box 3xx / 5xx grey



BERNINA 330

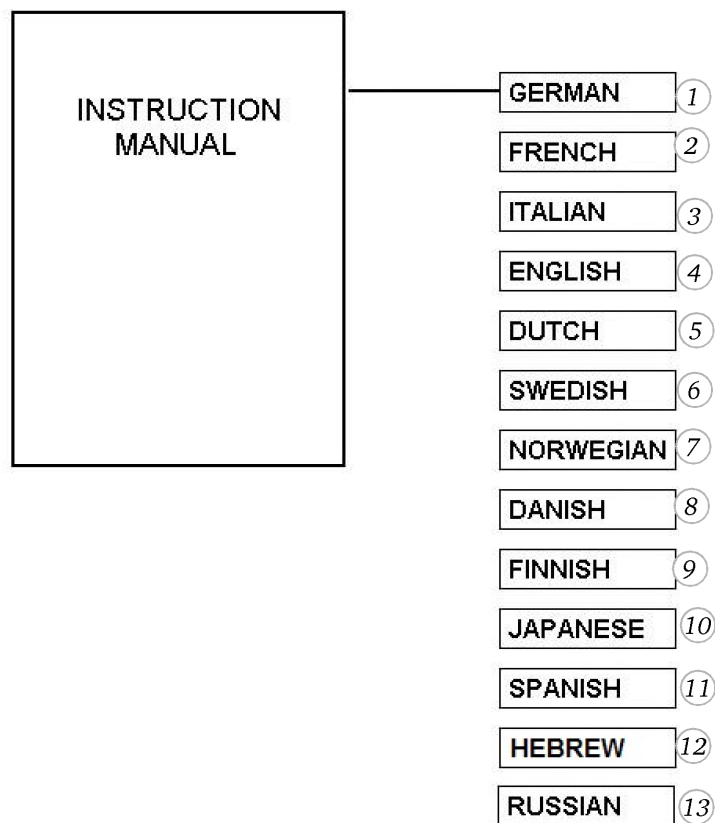


Accessories

Pos	Item number	Description
1	0015417000	Seam Guide Right cpl
2	0069935201	Seam Ripper
4	0032605000	Compensating-Plates
4	0032605100	Compensating Plates
4	0328465000	Screw Driver red RAL 3025 2,5x0,4x84,5
5	0333297101	Torx Wrench T20 Packed
6	330022031+	DUST-BRUSH
6	33002203++	Brush
7	0027217100	NEEDLE ASSORTMENT 5-NEEDLES
7	0025077002	Needle Set 130/705 H Packed ASS 70-90 (5)
8	0079265200	Disc D 12
9	0013225101	oiler tube Velocite 10 (4ml)
10	0079305200	Disc D27
11	0015367200	BOBBIN
11	0015367300	bobbin
12	0079305101	Disc D43
13	0303145002	SOFTPLATE
14	0333277000	Softplate Packed

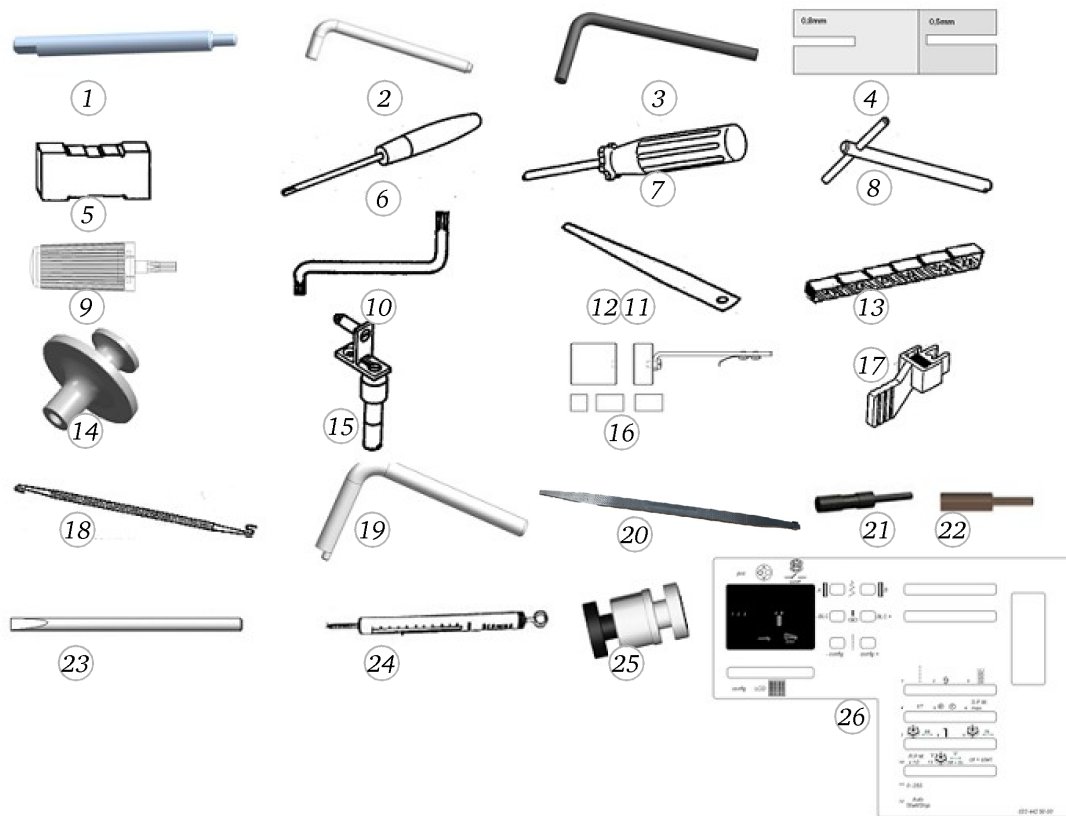
BERNINA 330

Instruction manual



Pos	Item number	Description
1	0333017001	MANUAL 330/350/380 DE
2	0333017102	MANUAL 330/350/380 FR
3	0333017003	MANUAL 330/350/380 IT
4	0333017004	MANUAL 330/350/380 EN
5	0333017005	MANUAL 330/350/380 NL
6	0333017006	MANUAL 330/350/380 SV
7	0333017007	MANUAL 330/350/380 NO
8	0333017008	MANUAL 330/350/380 DA
9	0333017009	MANUAL 330/350/380 FI
10	0333017010	MANUAL 330/350/380 JA
11	0333017011	MANUAL 330/350/380 ES
12	0333017018	MANUAL 330/350/380 RU

BERNINA 330



Gauges

Pos	Item number	Description
1	0304305001	ADJUSTING PIN L=45
2	0013565000	SPEC. GAUGE
3	0023305000	EXCENTER - STOP
4	398026131+	ADJUSTING TOOLS
5	398024031+	FEED DOG HIGH GAUGE
6	398097030+	ADJUSTING KEY
7	0013617000	BUTTON-HOLE ECC. KEY
8	0013577000	ADJUSTING TOOL CPL.
9	0304755100	Screwdriver Torx T10
10	0079935000	ADJUSTING KEY
11	398022030+	0.3 MM FEELER GAUGE
12	398111030+	TRACE GAUGE 0.15 MM
13	398031133+	Adjusting Tool Sewing Foot
14	0067657100	GAUGE CPL.
15	0013587000	WEIGHT
16	0087097200	SETTING WEIGHT-SET
17	0089617200	FILTER CPL.
18	398112030+	Spring-hook
19	0315635000	EXCENTER ADJ.TOOL
20	398083030+	FITTING TOOL
21	7341015000	GAUGE THREADER-HEAD
22	0308835000	GAUGE L = 26
23	0319355000	Plug Tamping Tool
24	0060385000	spring balance 100gr.
25	0319397000	BOBBIN WINDER DEVICE BERNINA
26	0334425000	SERVICEPANEL 330-380

BERNINA 330

3 Series Recommended Spare Parts for Dealers



Pos	Item number	Description
10	0335467101	STITCHPLATE/STANDRAD C
20	20500223	Slotted-machine-screw
20	1077875000	Pan Head Screw M2x1,8 Nickel Plated
30	0078755200	Clip
30	0078755300	Clip
40	0007325100	DRIVER SPRING
50	0066335200	THREAD GUIDE PLATE
60	0017205200	LOW-HEAD-SCREW-M3
60	0017205300	thruss head screw
70	0302065400	CB-HOOK
80	0015367300	bobbin
90	0015387200	SHUTTLE RACE COVER CPL.
100	0330385000	Spool Support
110	0330367000	Spool Support Pin Turnable Cpl.
120	0321337000	THREAD CUTTER CPL
130	0337927100	Threader Head Packed Semi-automatic
140	0330417000	Thread Cutter Cpl.
150	0082435400	Needle Clamp Screw
160	0079545401	Regulator Spring
170	25603003	TENSION-SPRING
180	1028945000	CB tension spring BERNINA Logo
190	1028955000	CB tension screw BERNINA Logo
200	0015347250	bobbin case cpl. bobbin case hinge nickle platet YS
210	0049595000	SLIDE BLOCK
220	0301575200	TOOTHED RACK FORK